

HFA

TEMPRA GEL



TEMPRA GEL

The Tempra Gel task chair is engineered to provide exceptional support during long periods of seated work. Its updated seat construction features a high-performance visco overlay that moulds to the body's natural contours for superior pressure relief. This advance cushioning material responds to weight and temperature to create a personalised seating experience that reduces physical fatigue. The chair continues to offer its signature ergonomic adjustments and a fully upholstered backrest, ensuring a perfect balance of comfort and posture stability. This combination of innovative materials and intuitive design makes it an ideal choice for any modern workspace.



DIMENSIONS

Height	Width	Depth
840-1050mm	500mm	560mm

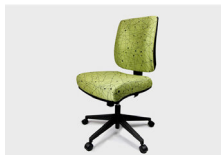
SPECIFICATIONS

- Made in Australia
- 10-year warranty
- AFRDI 6 approved
- 3-lever ergonomic mechanism
- Black 5-way base
- Gaslift height adjustment
- Height-adjustable backrest for targeted lumbar support
- Visco foam overlay to the seat for added comfort and ergonomics

OPTIONS

- Upholstered in any suitable fabric, leather, or vinyl
- Synchron mechanism
- Polished aluminium base
- Height-adjustable armrests
- Seat slide

PRODUCT OPTIONS

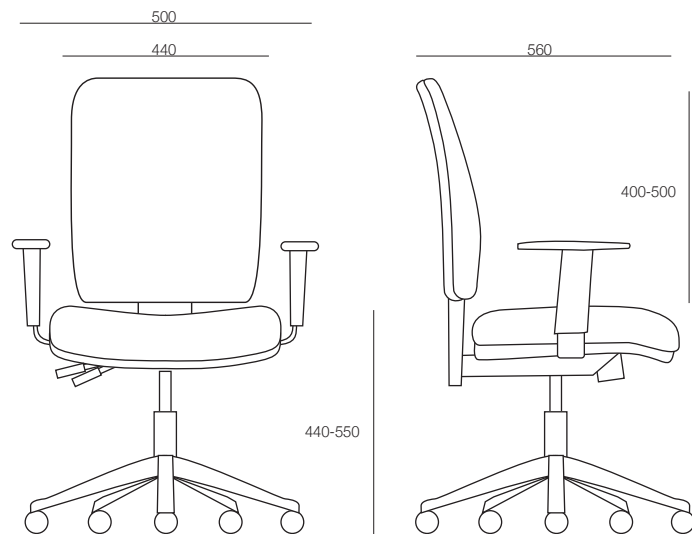


GENERAL

Origin	Lead Time
Australia	3 weeks



TECHNICAL DRAWINGS






HFA



1F Marine Parade
Abbotsford, Victoria
3067 Australia

T +61 (3) 9818 8400
F +61 (3) 9818 6655
info@hfa.com.au

 ecf.com.au
 ecf.hfa
 @ecf_hfa

