

ecf | TEMPRA GEL



# TEMPRA GEL

The Tempra Gel task chair is engineered to provide exceptional support during long periods of seated work. Its updated seat construction features a high-performance visco overlay that moulds to the body's natural contours for superior pressure relief. This advance cushioning material responds to weight and temperature to create a personalised seating experience that reduces physical fatigue. The chair continues to offer its signature ergonomic adjustments and a fully upholstered backrest, ensuring a perfect balance of comfort and posture stability. This combination of innovative materials and intuitive design makes it an ideal choice for any modern workspace.



## DIMENSIONS

Height	Width	Depth
840-1050mm	500mm	560mm

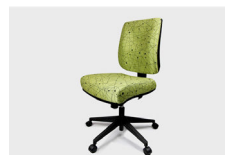
## SPECIFICATIONS

- Made in Australia
- 10-year warranty
- AFRDI 6 approved
- 3-lever ergonomic mechanism
- Black 5-way base
- Gaslift height adjustment
- Height-adjustable backrest for targeted lumbar support
- Visco foam overlay to the seat for added comfort and ergonomics

## OPTIONS

- Upholstered in any suitable fabric, leather, or vinyl
- Synchron mechanism
- Polished aluminium base
- Height-adjustable armrests
- Seat slide

## PRODUCT OPTIONS

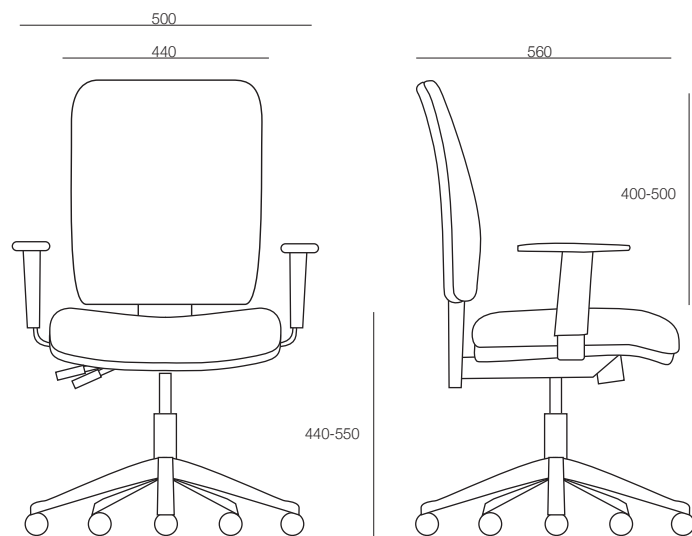


## GENERAL

Origin	Lead Time
Australia	3 weeks



## TECHNICAL DRAWINGS






ecf



1F Marine Parade  
Abbotsford, Victoria  
3067 Australia

T +61 (3) 9818 5444  
F +61 (3) 9818 6655  
info@ecf.com.au

 ecf.com.au  
 ecf.hfa  
 @ecf\_hfa

