

ecf

CALIFORNIA OUTDOOR TUB CHAIR >



CALIFORNIA OUTDOOR TUB CHAIR

The California Tub Chair is an injection moulded resin chair, the non-metallic frame will never unravel, rust or decay, with rattan look seat and back. Reinforced with glass fibre to strengthen the legs and boost the weight capacity. The California Tub Chair is designed for outdoor use. Strong yet lightweight, this chair will add class to your facility. Its sleek profile is pleasant to the eye so this chair is as charming as it is functional. Very easy to clean, just hose it down.



DIMENSIONS

Height	Width	Depth
900mm	590mm	630mm

SPECIFICATIONS

- 2 year structural warranty
- Made in Europe
- Not stackable
- Suitable for indoor and outdoor use
- SWL: 150 kg
- Weather resistant, UV Stabilised - Will not fade under direct sunlight

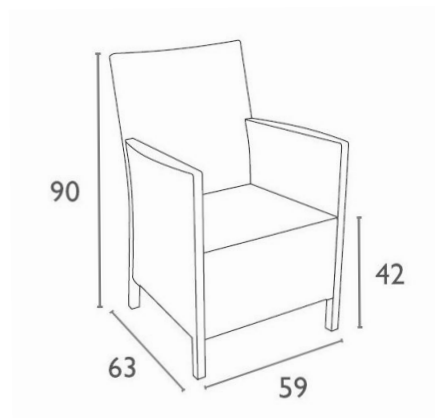
OPTIONS

Available in Chocolate & Anthracite

GENERAL

Origin	Lead Time
Europe	4 weeks

TECHNICAL DRAWINGS



PRODUCT OPTIONS






ecf



1F Marine Parade
Abbotsford, Victoria
3067 Australia

T +61 (3) 9818 5444
F +61 (3) 9818 6655
info@ecf.com.au

 ecf.com.au
 ecf.hfa
 @ecf_hfa

