

Sally




+Halle®

ecf



1F Marine Parade
Abbotsford, Victoria
3067 Australia

T +61 (3) 9818 5444
F +61 (3) 9818 6655
info@ecf.com.au

 ecf.com.au
 ecf.hfa
 @ecf_hfa



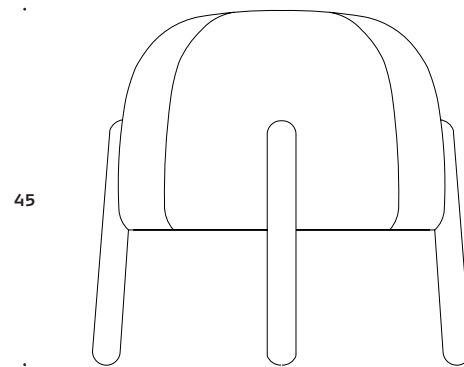
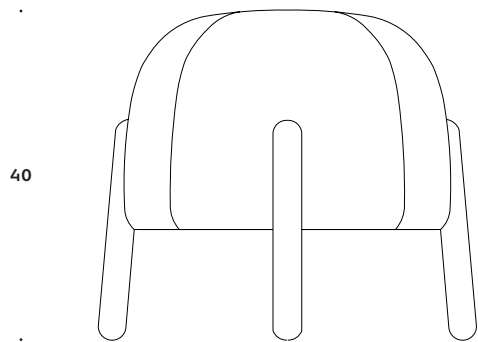
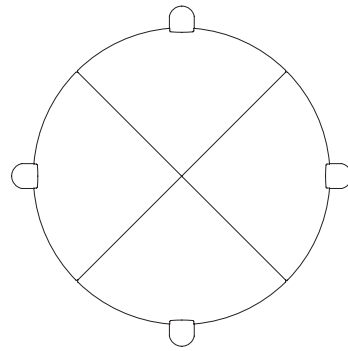
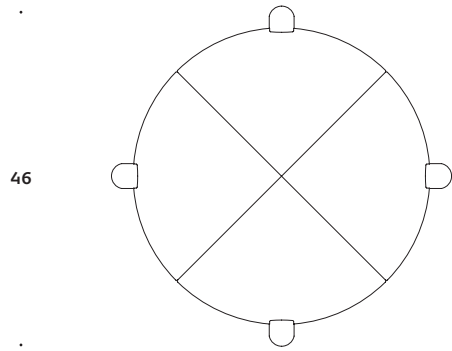
Sally

Sally is a versatile stool, which contributes to the creation of warm and personal spaces in the public environment. The compact size and low weight makes it easy to move around and increases its versatility and functionality. Wherever it is needed, Sally functions as an informal, comfortable and practical seat. The shape, the wooden legs, and the endless upholstery options underline Sally's quirky personality; expression and style that makes people smile and invites people to use it. Available in two different heights.

Designed by busk+hertzog

The Danish design duo was established in 2000 with a clear vision of being innovative and professional - but also with the aim of leading and inspiring a new generation of designers to further develop the Danish design legacy. The duo is located in Lisbon.





Dimensions defined in centimeters

Design busk+hertzog
Materials Legs in soaped oak / black stained oak
Fabric Available in all fabrics and leather types

Notes

A large grid of dots for taking notes, consisting of 20 columns and 30 rows of small black dots on a white background.

Creating human spaces

+Halle is a Danish high quality design furniture brand. We strive to add value to public areas by contributing to the creation of Human Spaces. The basic idea behind +Halle can be put down to a basic understanding of people.