

# Framery Six™



**framery**

The smart and soundproof office meeting room  
shaping the workspace of tomorrow





Framery Six is a smart meeting room for up to 6 people. This multifunctional soundproof meeting space is tailored for collaborative teamwork and enhanced for face-to-face and hybrid brainstorming sessions. With fine-tuned acoustics and top-notch soundproofing, it ensures privacy during discussions and virtual meetings. Framery Six's adaptive ventilation and automated lighting ensure your team can focus on what really matters and have a successful workday.

## Framery Six / Product highlights



### Workdays that flow with ease

Framery Six has been purposefully designed to make your workdays flow better. Find and book the pod in advance or on-the-fly from the Framery app. Or step inside and the pod automatically creates a reservation for you. Extend your reservation directly from the pod's touchscreen, or adjust your booking through the app.



### Privacy you can trust

The fine-tuned acoustic structure provides A-Class soundproofing that allows the pod to be placed next to workstations without causing noise distractions to the user or to those outside of the pod. And echo-free interior acoustics make the pod a private, comfortable place for work and video calls.



### Airflow that keeps you fresh

The pod recognizes when it's occupied, senses the temperature and humidity of the surroundings, and triggers adjustments to the airflow accordingly. Enhanced ventilation fully refreshes the air every minute, and ventilation can be easily adjusted through the pod's touchscreen display.



### Lighting that makes you feel good

Multiple automated light sources adapt to your needs, with preset lighting options to choose between work or video modes. Video-optimized lighting helps you shine on video calls. Adjustments can be made quickly and easily through the touchscreen display.



## Framery Six / Tech features



### 1. A-CLASS SOUNDPROOFING

Guaranteed privacy with fine-tuned Class A speech level reduction of 30dB – and the industry's top ISO 23351-1 rating for office phone booths.

### 2. FRAMERY OFFICE SOUND MASKING SYSTEM™

The embedded system is based on patent-pending technology that reduces noise distractions and protects speech privacy in office environments by adding a subtle, unobtrusive background sound outside of the pod. This ambient background noise, similar to air flow, is specifically designed to blend in with the office's noise atmosphere – making sounds less intelligible and therefore less distracting.

### 3. ADAPTIVE VENTILATION

Proprietary design enables unparalleled ventilation with maximum airflow of 187 l/s – surpassing industry standards around the world.

### 4. TEMPERATURE & HUMIDITY SENSORS

Sensors inside the pod recognize the temperature and humidity of the office environment, and automatically optimizes the airflow accordingly.

### 5. AUTOMATIC LIGHTING MODES

Dual adjustable 4000K LED light sources allow you to seamlessly switch between video or work modes – or make manual adjustments for personalized illumination.

### 6. 8-INCH TOUCHSCREEN

An intuitive, 8-inch high-resolution touchscreen makes it easy to control pod settings, adjust lighting and airflow, and extend calendar reservations effortlessly.

### 7. AUTOMATIC UPGRADES

A built-in 4G connection enables automatic over-the-air software updates – initiated instantly and silently in the background.

### 8. MMWAVE RADAR PRESENCE DETECTION

Millimeter-wave radar sensors immediately detect when someone enters or leaves the pod, allowing lighting and ventilation to adjust accordingly.

Occupancy data is gathered and displayed through Framery Connect to provide information about when the pod is being used the most.

### 9. FRAMERY CONNECT™

Gain insights from occupancy data, initiate advanced bookability functionalities, and connect your Framery Six to the entire office to get valuable usage data needed to improve the layout and efficiency of your workplace.

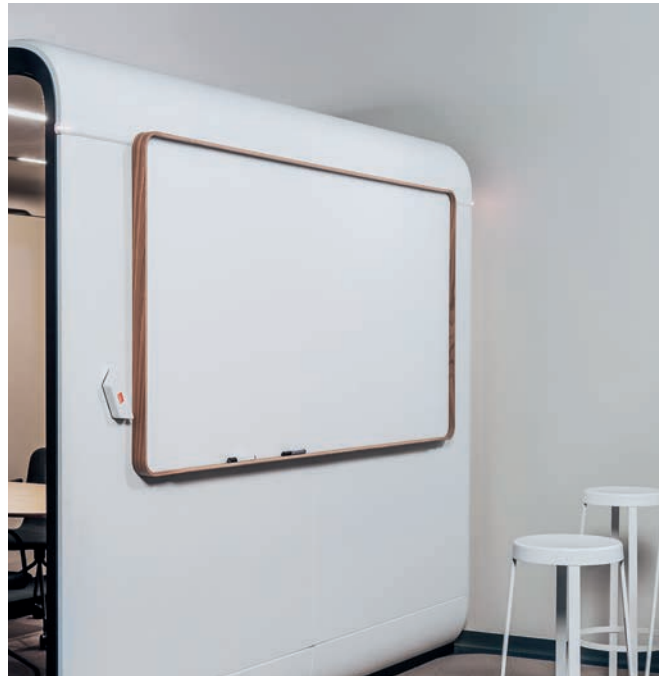
---

## Framery Six / Design details

Framery Six combines the best features of a larger meeting room in a convenient, modular package. The luxurious and spacious interior comes equipped with a proper-sized meeting table that can be complemented with your own choice of seats. The pod's low threshold enables easy access, and the minimalistic design approach uses carefully curated materials, making it a sustainable choice.



Framery Six is tailored for collaborative teamwork and enhanced for face-to-face and hybrid brainstorming sessions. Framery Six's powder-coated exterior panels are made from deepdrawn and bended steel. Matt black structures made from aluminum create the framing, and sound-control laminated glass finish the structural support. The interior walls and roof are made of a light steel structure.



Framery Six is designed to bring teams together- whether you're meeting face-to-face or collaborating online. The optional gather zone outside of Framery Six creates an additional meeting area, featuring matching carpet and a convenient add-on rail where a whiteboard or additional display can be attached. This effectively doubles the amount of working space that Framery Six can offer.



The exterior occupancy lights show at a glance whether the pod is available or already taken.



The custom-designed table comfortably accommodates an entire team, and built-in power outlets and optional coat hooks are provided for all your office accessories.



An optional interior whiteboard can be provided to make it even easier to collaborate during meetings.



Customize your pod to fit your workplace with hundreds of combinations of colors, fabrics, and high-quality materials to choose from.

# Framery Six / Colors and finishes

## EXTERIORS



White  
RAL 9016 Ultramatt



Black  
RAL 9005 Ultramatt



Gray  
S 7500 - N Ultramatt



Navy  
S 7020 - R90B Ultramatt



Sand  
S 2010 - Y20R Ultramatt



Powder Blue  
3421-R86B Ultramatt



Winter Moss  
S 7010-G10Y Ultramatt



Blush  
2728-R01B Ultramatt

## CARPETS



Light Gray  
Ex-dono Quartet #393330  
Fletco carpets



Dark Blue  
Zenith #T371880 Fletco carpets



Champagne  
Zenith #T371210 Fletco carpets



Grape  
Zenith #371680 Fletco carpets

## TABLE TOPS



White  
White laminate



Black  
Black Laminate with  
anti-fingerprint surface



Oak Veneer

## INTERIORS



Pure Gray  
Tonal #60123 Gabriel



Arctic Blue  
Tonal #66185 Gabriel



Sand  
Tonal #61180 Gabriel



Rouge  
Tonal #64210 Gabriel

## MATERIALS AND FINISHES



**EXTERIOR PANELS** made from steel feature a powder-coated matt finish. The lightweight panels are joined together seamlessly, with elegant curves that create a timeless design.



**INTERIOR PANELS** made from high-quality and recycled polyester have a vibrant and dynamic look thanks to the mix of the two-colored fabric.



**SUSTAINABLE QUALITY**  
Replaceable interior paneling on the walls and roof are made from PET sound-absorbing material. Anti-static, stain resistant low-loop pile carpeting covers the flooring.



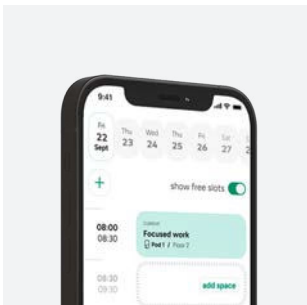
**CARPET FLOORING** is anti-static, stain resistant, and durable, giving the pod an overall soft look and finish.



---

## Framery workplace technology / Set your office up for success

Framery's workplace technology suite streamlines workdays, elevates productivity, and enhances the entire workplace experience. Access real-time occupancy data, make data-driven decisions, book meeting spaces easily, and boost focus, privacy, and productivity throughout the office. Set up your workplace for the people who use it – making it easier than ever to get work done. And you can enjoy these benefits without any deployment costs.



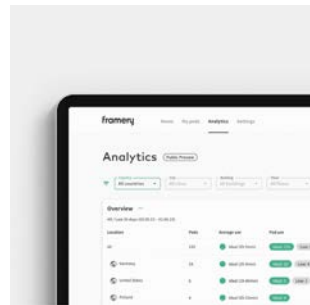
### Framery App™

Manage your workday on the go with the Framery app – the easiest way to book pods and meeting spaces for every task throughout your day. Instantly check space availability and save your favorite spaces to see when they're free. Book spaces in advance or on the go directly from your phone, and manage your entire workday in one place.



### Framery Office Sound Masking System™

The Framery office sound masking system improves the acoustics of the entire workplace. The embedded system is based on patent-pending technology that reduces noise distractions and protects speech privacy in office environments by adding a subtle, unobtrusive background sound outside of the pod. This ambient background noise, similar to air flow, is specifically designed to blend in with the office's noise atmosphere – making sounds less intelligible and therefore less distracting.



### Framery Connect™

Make workplace management decisions based on insights from your office's occupancy data. Every connected space provides you with valuable usage data you need to improve the layout and efficiency of your workspace. See which spaces are functioning efficiently, which spaces need attention, and which spaces go unused. With real-time usage data you can provide enough spaces in the right places.



### Framery Connect Sensor™

This palm-sized sensor expands the capabilities of Framery Connect – making it possible to collect usage data from any space in your workplace. From meeting rooms to collaborative spaces, the sensor can easily be attached to any space in your office to give you a complete overview of how your office is used. The simple and wireless sensor is equipped with internal 4G connectivity and an external battery boasting a 3-year battery life.

### Unparalleled support

Get instant support from a Framery specialist for any issues that may arise with your smart pods or other products.

### Always updated

Instantly receive software updates through your smart pod's 4G connection to enable developments and services into the future.

### Privacy ensured

No identifiable user data is collected – only workspace occupancy information is tracked.

---

## FRAMERY PLUS – EVERYTHING YOU NEED FOR A SUCCESSFUL WORKPLACE

Unlock all the tools and features your workplace needs to thrive with our subscription based Framery Plus™ – free of charge until the end of 2024.

---

## Framery smart pods / Environmental data sheet

Framery's new smart pods set the standard in sustainability – with durability that is measured in decades, light-weight product structures, use of truly recyclable materials, and modularity that allows the life cycle of the products to be extended indefinitely. Framery participates in the Science Based Targets initiative, and has set emission reduction targets aligned with the goal of limiting global warming to 1.5°C compared to pre-industrial levels. Results of life cycle assessment of Framery products are verified by an independent third party and available in Environmental Product Declarations.



### Optimal material use

Framery has achieved a 23% material reduction with its new line of products – which equals over 1 million kg of raw material annually – while increasing their level of performance compared to previous models. This has made it possible for Framery to reduce product prices as well. The carbon footprint in the manufacturing stage of the new products is 16% smaller on average. A change from plywood to steel as the main construction material also allows Framery to continue reducing its environmental impact and strive towards a 50% reduction in product CO<sub>2</sub> emissions by 2028.



### Production and waste management

All our pods are manufactured in Tampere, Finland using zero-emission electricity. Our factory logistics are operated on biogas and renewable diesel. The material efficiency rate of our production was 94.9% in 2022. Virtually no waste goes to landfill.



### Environmental impact

We have conducted life cycle assessment studies for our products to measure their environmental impacts. Alongside their carbon footprint, we also study other impacts such as resource depletion and water scarcity. The results are verified by an independent third party, and then published and registered as an EPD to provide stakeholders with reliable information on our products' environmental performance in a transparent way.



### Product performance

The modular design of our pods facilitates a long product lifetime, and our customers typically use them for many years. The same pod can be used by one customer after another, enabling multiple life cycles and saving valuable resources. Thanks to their modular design, our pods are easy to disassemble, refurbish if needed, and reassemble at a new location. Our products are GREENGUARD Gold certified, and highly maintainable with easily available spare parts.



### Extended life cycles

The most effective way for manufacturers to reduce the environmental impact of their products is to extend their life cycle. The durability of the all-steel structures of Framery's new products is measured in decades. Modular product structures allow the pods to be easily serviced and refurbished, extending their life cycles even further. At the end of their life, the products are fully recyclable as a result of eliminating composite and other hard-to-recycle materials.



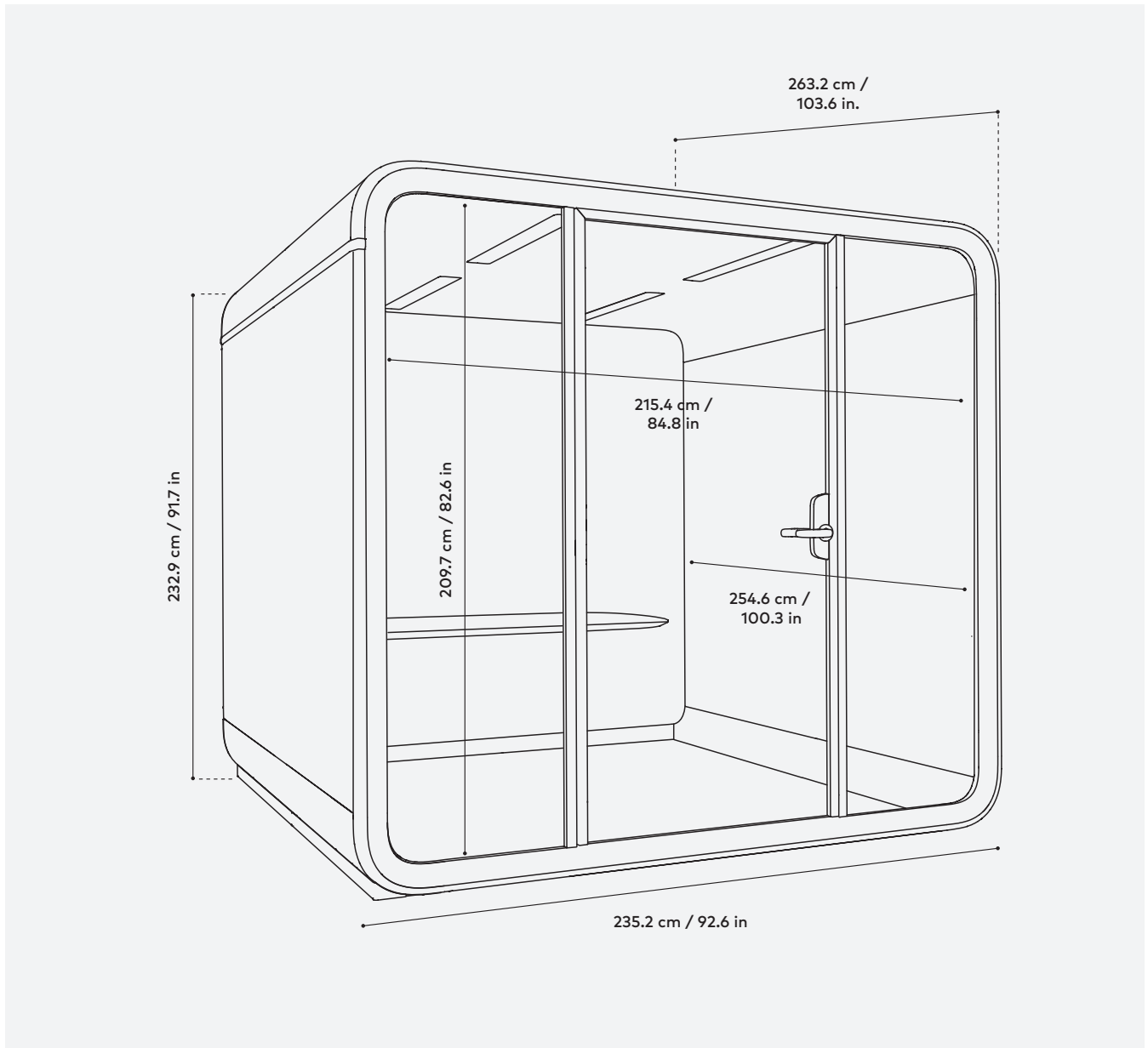
### Transportation

Logistical hubs in Singapore and the USA reduces air freight, and allows us to load our shipping containers more tightly. The products are made-to-order, and their modularity helps us achieve this with minimal impact.



# Framery Six™

## Technical specifications



### Performance

Speech level reduction: 30dB  
Max airflow: 187 l/s  
Low energy consumption: 145W

### Sustainable design

Built to last for decades  
Light-weight product structures  
EOL 100% recyclable materials  
Refurbishable & movable

### Connectivity

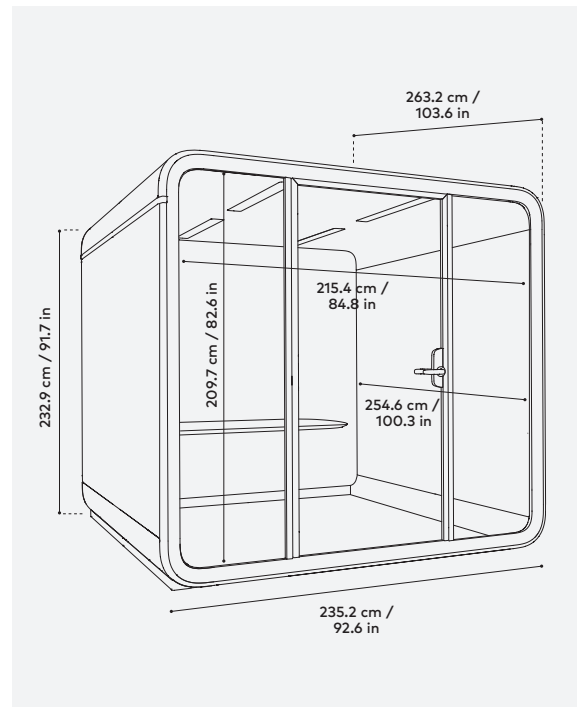
Built-in 4G connection  
Automatic software updates  
Framery Connect digital services

# Framery Six / Technical specifications

## OVERVIEW

Soundproofing	<b>CLASS A 30 DS,A (dB) reduction</b> Speech level reduction DS,A (dB) is measured using ISO 23351-1. Pod can be placed next to workspaces without compromising privacy.
Sound masking	<b>FRAMERY OFFICE SOUND MASKING SYSTEM™</b> A pre-fitted sound masking system improves the soundscape of the office outside the pods with an effective radius of 5 m / 16 ft.
Ventilation	<b>MAXIMUM AIRFLOW</b> 187 l/s, 397 CFM (674.6 m <sup>3</sup> /h) <b>DEFAULT AIRFLOW</b> 149 l/s, 316 CFM (536 m <sup>3</sup> /h) when in use. After use, the pod refreshes itself with a higher ventilation speed. <b>ON STANDBY MODE</b> 76 l/s, 161 CFM (274 m <sup>3</sup> /h) <b>ADJUSTABLE DIRECTIONAL AIRFLOW</b> Choose between direct and indirect airflow
Lighting	<b>CEILING LIGHT</b> Color temperature 4000K, illuminance up to 500lux on the table top. <b>VIDEO LIGHT</b> Color temperature 4000K, illuminance up to 350lux on the user's face. <b>PRE-SET LIGHTING MODES</b> Standard mode & Video call mode. The lighting can also be adjusted manually.
Presence detection	<b>SENSOR TECHNOLOGY</b> mmWave radar
Dimensions	<b>EXTERIOR</b> 232.9 × 235.2 × 263.2 cm / 91.7 × 92.6 × 103.6 in (h, w, d) <b>DOORWAY</b> 209.7 × 96.6 cm / 82.6 × 38 in (h, w) <b>WEIGHT</b> 718 kg / 1582.9 lb (without furniture 693kg / 1527.8 lb)
Connectivity	Built-in 4G with Framery provided SIM card Wi-Fi 802.11 a/b/g/n/ac 2.4&5 GHz Over-the-air software updates Framery Connect services available

## DIMENSIONS / MAIN VIEW



Framery Six is  
UL GREENGUARD GOLD  
certified



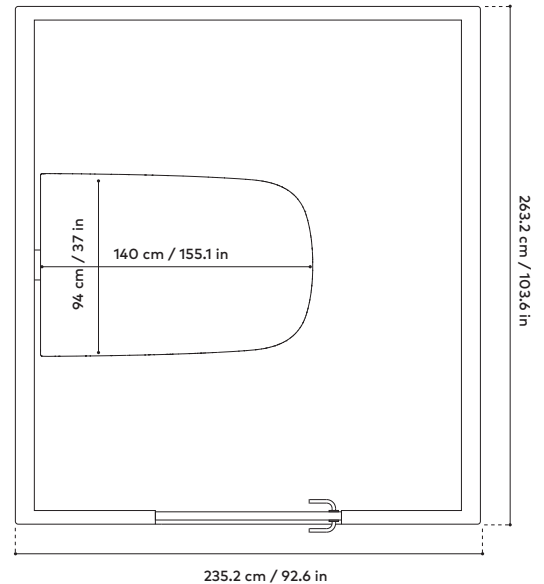
Framery Six shipped in North America is  
UL 962 listed

# Framery Six / Technical specifications

## MATERIALS

Exterior & structure	<p><b>EXTERIOR PANELS</b> Powder coated matt steel panels</p> <p><b>FRAMES</b> Structure matt black aluminum.</p> <p><b>DOOR FRAME</b> Structure matt black aluminum</p> <p><b>GLASS</b> Sound control laminated glass (4 + 4 mm / 0.16 + 0.16 in)</p> <p><b>CHASSIS</b> Light steel and PET sound-absorbing structure</p> <p><b>HANDLE</b> Custom designed black metal</p>
Interior materials	<p><b>INTERIOR PANELS</b> PET sheets laminated with recycled polyester fabric</p> <p><b>UPHOLSTERY FABRIC</b> Gabriel Tonal</p> <p><b>CARPET</b> Antistatic and stain resistant low loop pile carpet</p> <p><b>TABLE</b> Table top is birch plywood laminated with white, black anti-fingerprint, or oak veneer.</p> <p><b>TABLE LEG</b> Structure black metal</p>
Seating materials	<p><b>UPHOLSTERY FABRIC</b> Gabriel Select</p> <p><b>FABRIC COMPOSITION</b> 85 % New Zealand wool / 15 % Polyamide</p>
Furniture dimensions	<p><b>TABLE</b> 94 cm x 140 cm / 37 in x 155.1 in (w, d)</p> <p>Fixed height from floor 72 cm / 28.3 in</p> <p><b>MAX LOAD FOR THE TABLE</b> 60 kg / 131 lb</p>
Optional accessories	<p><b>INTERIOR WHITEBOARD</b> 102,3 x 206,3 cm / 40.3 x 81.2 in (h, w)</p> <p><b>MONITOR WALL MOUNT</b> Maximum monitor size 50". Maximum weight 30 kg / 66 lbs with flat VESA 100 x 100, 200 x 100, 200 x 200, 300 x 200, 300 x 300, 400 x 200, 400 x 300 or 400 x 400 mounting surface. Monitor not included. Possibility to mount on both walls.</p> <p><b>COAT HOOKS</b> Structure black metal</p> <p><b>EXTERIOR TABLET MOUNT</b> With easy set-up.</p> <p><b>GATHER ZONE</b> Includes the same whiteboard and monitor wall mount as interior, and additional exterior carpet.</p>

## DIMENSIONS / TOP VIEW



## SAFETY

Fire safety	No fire hazardous materials are used in Framery pods. The fire safety of all surface materials, upholstery and acoustics materials of our products are tested and classified by either national or international standards. Framery provides additional safety measurements to adhere to local regulatory requirements.
Seismic safety	A seismic anchoring kit for a pod is available for the seismic regions. The kit consists of brackets that further reinforce the pod structure to withstand heavy seismic forces.



# Framery Six / Technical specifications

## POWER AND SPACE REQUIREMENTS

### Power

#### FRAMERY SIX ESSENTIALS OUTLETS

2 × in-table / under-table power outlets,  
2 × under-table power outlets,  
2 × USB-C PD charge ports (65 W)  
Optional in-table outlets (max 2): 0–1 × HDMI port, 0–2 × LAN ports (with cables)

#### FRAMERY SIX LITE OUTLETS

2 × in-table / under-table power outlets,  
2 × under-table power outlets  
Optional in-table outlets (max 4): 0–2 × USB-C PD charge ports (65 W), 0–1 × HDMI port, 0–4 × LAN ports (with cables)

#### FRAMERY SIX BASE OUTLETS 4 × power outlets with corner placement

Optional outlets (max 4): 0–2 × USB-C PD charge ports (65 W), 0–4 × LAN ports (with cables)

The location of power outlets may vary based on country regulations.

#### POWER CONSUMPTION

Default settings 145W. Highest settings 202 W. Standby mode 28W.

**INPUT** 100–240 VAC, 10 A, 50–60 Hz

#### OUTPUT AC (POWER OUTLET)

100– 40 VAC (8 A max) 50–60 Hz

#### OUTPUT USB-C PD CHARGE PORT 65W

### Space requirements

**DOOR OPENING RATIO 180°**

### Door handedness

Left-handed by default  
(can also be installed right-handed)

### Operating space

238 × 236 × 361 cm / 93.7 × 92.9 × 142.1 in  
(h, w, d).

## SHIPPING CRATE DIMENSIONS

### Crate 1

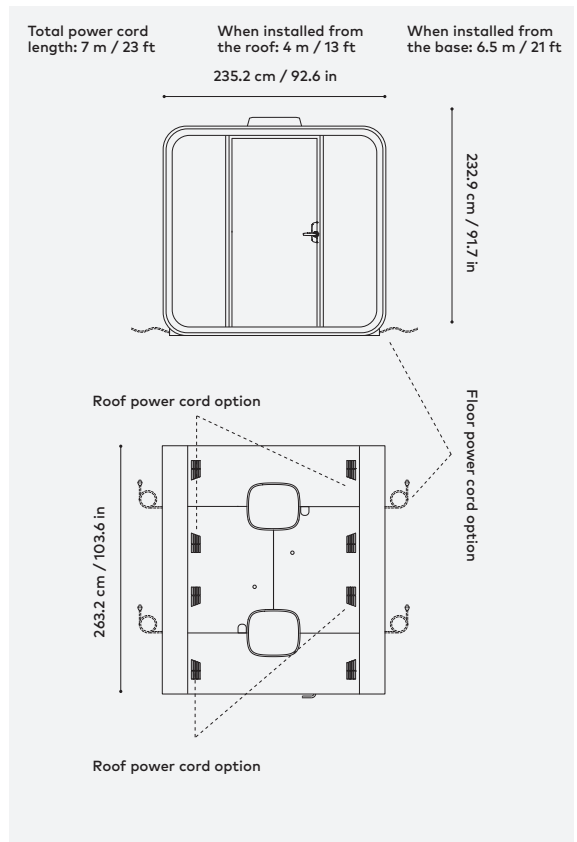
**SIZE** 224 × 113 × 116 cm / 88.2 × 44.5 × 45.7 in  
**WEIGHT** 505 kg / 1113.3 lb

### Crate 2

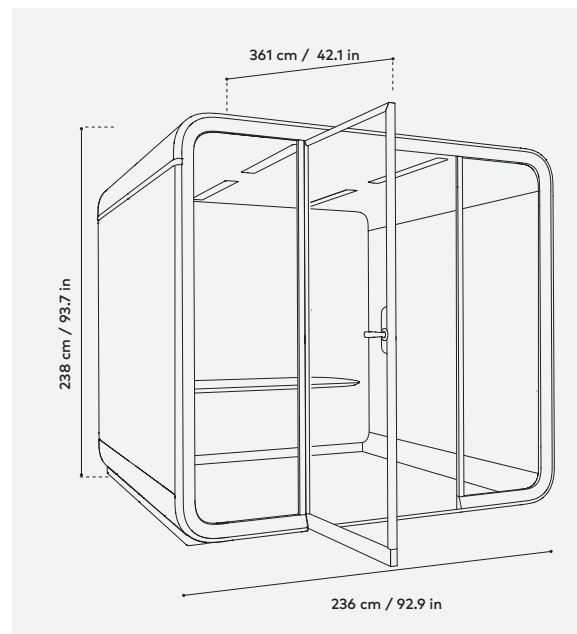
**SIZE** 224 × 89 × 149 cm / 88.2 × 35 × 58.7 in  
**WEIGHT** 392 kg / 864.2 lb

Crates 1 and 2 can be stacked.

## DIMENSIONS / POWER CORD SPECIFICATIONS



## DIMENSIONS / OPERATING SPACE



For the doers,  
leaders, thinkers,  
dreamers, creators,  
teams, pioneers  
and innovators.  
For people who  
get it done.





**framery**<sup>™</sup>

Trademarks FRAMERY®, framery<sup>™</sup>, Framery Six<sup>™</sup>, Framery Connect<sup>™</sup>, Framery Connect Sensor<sup>™</sup>, Framery App<sup>™</sup>, Framery Plus<sup>™</sup> and Framery Office Sound Masking System<sup>™</sup> are property of Framery Oy. For more comprehensive details of intellectual property rights of Framery Oy, please see [www.frameryacoustics.com/en/ipr](http://www.frameryacoustics.com/en/ipr). For more Framery® product information visit us online [frameryacoustics.com](http://frameryacoustics.com) Framery Six<sup>™</sup> 03/24 ©2024 Framery. All rights reserved. All specifications subject to change without notice.

ecf  
HFA



ECF T +61 (3) 9818 5444 E [info@ecf.com.au](mailto:info@ecf.com.au) HFA  
T +61 (3) 9818 8400 E [info@hfa.com.au](mailto:info@hfa.com.au)  
F +61 (3) 9818 6655  
1F Marine Parade Abbotsford Victoria 3067 Australia

 [ecf.com.au](http://ecf.com.au)  
 [hfa.com.au](http://hfa.com.au)  
 [ecf.hfa](https://www.facebook.com/ecf.hfa)  
 [@ecf\\_hfa](https://www.instagram.com/ecf_hfa)

