



HEMII (LX-HI)

TYPE:

KEY FEATURES

- Internal and external noise-absorbing materials for enhanced acoustics
- A high-performance dimmable circular edge-lit LED panel
- Two sizes and 50 exterior wool colors
- Interior color always in Light Grey
- A minimalistic design that blends seamlessly into existing design features
- Thermo-formed felt shell manufactured from recycled plastics
- Hand-upholstered exterior from rapidly renewable and biodegradable wool
- Height adjustable 9' / 3m suspension cables and Black woven power cable
- IES photometric files available
- L70 lifetime rating of 50,000 hours

OPTIONAL EXTRAS

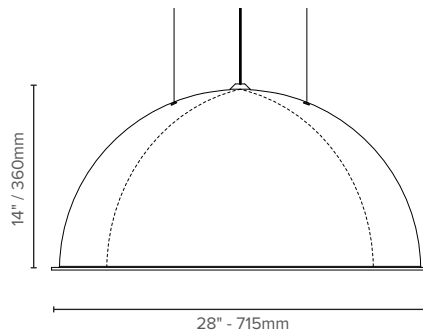
- Additional options available upon request
- POE
 - Bluetooth controller (US & EU only)
 - Tunable White output
 - White canopy and power cord



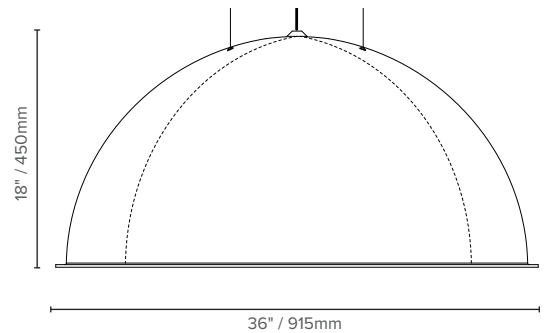
SIZE AND OUTPUT

	MEDIUM	LARGE
Lumen Output	3476 lm	5133 lm
Wattage	41.9 W	58.9 W
Efficacy	82.9 lm/W	87.2 lm/W
CRI	90+	
CCT	3000, 3500, 4000 K	
UGR	<19	

MEDIUM (M)



LARGE (L)



ORDER CODE

EXAMPLE FOR STANDARD LED PANEL: LX - HI - L - 2W - 40 - UNV - RD

(Luxxbox Hemii, Large - dia 36" x 18" / dia 915 x 450 mm, Wool option 2W, 4000K, Universal 120-277V / 0-10V 1% dimming, Remote driver)

EXAMPLE FOR E26/27 LAMP HOLDER: LX - HI - M - SG - E26

(Luxxbox Hemii, Medium - dia 28" x 14" / dia 715 x 360 mm, Wool option 2W, E26 lamp holder (120V AC))

LX - HI	SIZE		*SHADE COLOR	COLOR TEMP		DRIVER / DIMMING		DRIVER TYPE	
HI	M	Medium 28" x 14" / 715mm x 360mm	Use color codes as shown	30	3000K	UNV	0 - 10V - 1% dimming (120-277V) (North America only)	CD	Canopy concealed driver (UNV/North America only)
	L	Large 36" x 18" / 915mm x 450mm		35	3500K				
				*E26	E26 Lamp holder - 120V AC (North America only)				
			*E27	E27 Lamp holder - 220-240V AC (Global)					

* Please note the light globe or driver will not be supplied with the E26/E27 option for this fixture. | ** Global (G) dimming type is only available with Remote driver (RD)

Luxxbox reserves the right to change the specification, material and colors at any time without notice. Standard warranty terms and conditions apply. All rights reserved © All dimensions and values on specification sheet are nominal. Colors are subject to lead times and variations across batches. Birdcage Hemii product code LX-BC-HI. February 2024. LX-Hemii-Spec-SheetV2 v5.3



LUXXBOX USA INC × (P)+1 (415) 871 0448 × USA@LUXXBOX.COM
 LUXXBOX PTY LTD × (P)+61 7 3257 2822 × INFO@LUXXBOX.COM
 WWW.LUXXBOX.COM






TYPE:

WOOL UPHOLSTERED

4M	2T	4T	4C	3V	21	3W	3Q	4N	18
13	39	63	90	3P	3T	4Q	3N	4L	3L
4U	3S	82	4R	3M	58	2W	47	86	4X
4A	4D	2Q	1E	28	4W	1J	31	30	35
1R	1V	1W	1P	1Y	12	67	08	02	4H
3Z	2U	2Z	3X	3B	4B	4S	4K	33	4J
4P	09	26	62	1F	1K	1L	53	3U	1N
3Y	3R	3A	4V	4F	4E	4G			

NOTE:
 The standard colour for the interior of the shade is **ALWAYS** Silver Grey(SG).



SG

Luxxbox reserves the right to change the specification, material and colors at any time without notice. Standard warranty terms and conditions apply. All rights reserved © All dimensions and values on specification sheet are nominal. Colors are subject to lead times and variations across batches. Birdcage Hemii product code LX-BC-HI. February 2024. LX-Hemii-Spec-SheetV2 v5.3



LUXXBOX USA INC × (P)+1 (415) 871 0448 × USA@LUXXBOX.COM
 LUXXBOX PTY LTD × (P)+61 7 3257 2822 × INFO@LUXXBOX.COM
 WWW.LUXXBOX.COM





BIRDCAGE

HEMII (LX-HI)

TYPE:

PHOTOMETRICS

	MEDIUM	LARGE
Delivered Lumen Output	3476 lm	5133 lm
Wattage	41.9 W	58.9 W
Efficacy	82.9 lm/W	87.2 lm/W
Luminous Intensity Distribution	<p>Output Max Power: 3476 lm, 1209 Cd, 41.9 W</p>	<p>Output Max Power: 5133 lm, 1783 Cd, 58.9 W</p>
CRI	90+	
CCT	3000, 3500, 4000 K	
UGR	<19	

TM-30METRICS

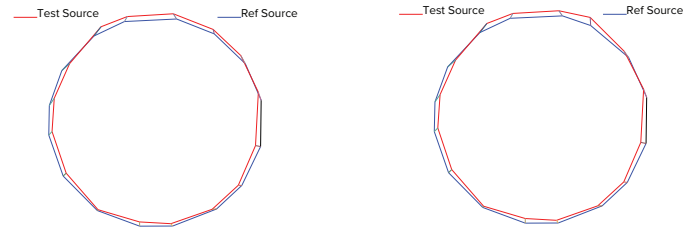
Fidelity Index (Rf): Average similarity to the reference source for all colors
 Gamut Index (Rg): Average change in chroma for all colors

	MEDIUM	LARGE
Rf (Fidelity Index)	90.135	90.7
Rg (Gamut Index)	97.711	98.8

COLOR VECTOR GRAPHIC

MEDIUM

LARGE



DRIVER SPECS

REGION/DIMMING	SIZE	WATTAGE (W)	MAX VOLTAGE (V)	COMPLIANCE
UNIVERSAL (UNV) 0-10V - 1% dimming 110 - 277VAC <i>(North America only)</i>	MEDIUM	48W	30-42V	
	LARGE			
GLOBAL (G) 0-10V - 1% dimming 220 - 240VAC DSI DALI	MEDIUM	48W	18-54V	
	LARGE			

Luxbox reserves the right to change the specification, material and colors at any time without notice. Standard warranty terms and conditions apply. All rights reserved © All dimensions and values on specification sheet are nominal. Colors are subject to lead times and variations across batches. Birdcage Hemii product code LX-BC-HI. February 2024. LX-Hemii-Spec-SheetV2 v5.3



LUXBOX USA INC × (P)+1 (415) 871 0448 × USA@LUXBOX.COM
 LUXBOX PTY LTD × (P)+61 7 3257 2822 × INFO@LUXBOX.COM
 WWW.LUXBOX.COM





TYPE:

PRODUCT ACOUSTIC PROPERTIES

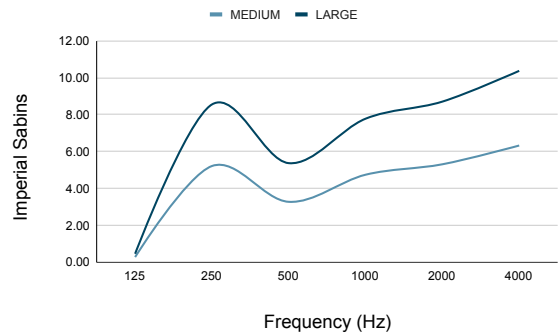
Testing and post analysis procedures were carried out in accordance with the references detailed below:

AS ISO 354-2006 (R2016)	Acoustics—Measurement of sound absorption in a reverberation room
AS ISO 11654—2002	Rating of sound absorption—Materials and systems
ASTM C423-17	Standard Test Method for Sound Absorption and Sound Absorption Coefficients by the Reverberation Room Method
ASTM E795-16	Standard Practices for Mounting Test Specimens During Sound Absorption Tests
ISO 20189	Screens, furniture and single objects intended for interior use – Rating of sound absorption and sound reduction of elements based on laboratory measurements.

Below you'll find the data for both sizes of this product in Imperial and Metric units. Please note we this data has been extrapolated from the results obtained in the testing of the Medium Helm pendant as we are using the same combination of materials in both products.

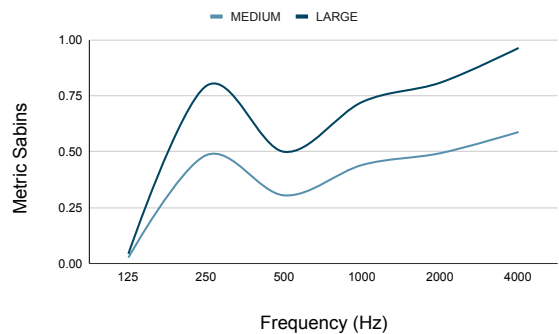
IMPERIAL SABINS

Frequency (Hz)	Sound Absorption Coefficient	MEDIUM (M)	LARGE (L)
125	0.03	0.28	0.46
250	0.64	5.22	8.55
500	0.40	3.28	5.37
1000	0.58	4.75	7.78
2000	0.65	5.31	8.71
4000	0.78	6.33	10.38



METRIC SABINS

Frequency (Hz)	Sound Absorption Coefficient	MEDIUM (M)	LARGE (L)
125	0.03	0.03	0.04
250	0.64	0.48	0.79
500	0.40	0.30	0.50
1000	0.58	0.44	0.72
2000	0.65	0.49	0.81
4000	0.78	0.59	0.96



The Sabin data shown above is in accordance with the latest International Standards for the rating of sound absorption and reduction. This is different from the classic methodology, which includes the calculation of the Noise Reduction Coefficient (NRC), the Sound Absorption Average (SAA), the Weighted Sound Absorption Coefficient (**aw**) and the Sound Absorption Class (SAC). However, to make it easier to compare against other products, we are including that information on the table on the right, which was calculated using the Largest Single Face method. Fully detailed test reports are available upon request.

NRC	0.6
SAA	0.58
aw	0.60
SAC	C

Luxbox reserves the right to change the specification, material and colors at any time without notice. Standard warranty terms and conditions apply. All rights reserved © All dimensions and values on specification sheet are nominal. Colors are subject to lead times and variations across batches. Birdcage Hemii product code LX-BC-HI. February 2024. LX-Hemii-Spec-SheetV2 v5.3



LUXBOX USA INC × (P)+1 (415) 871 0448 × USA@LUXBOX.COM
 LUXBOX PTY LTD × (P)+61 7 3257 2822 × INFO@LUXBOX.COM
 WWW.LUXBOX.COM





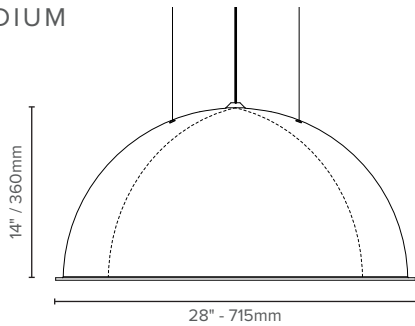
BIRDCAGE

HEMII (LX-HI)

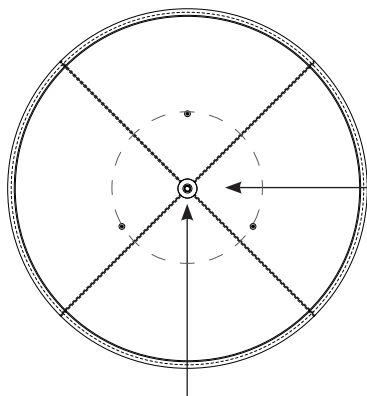
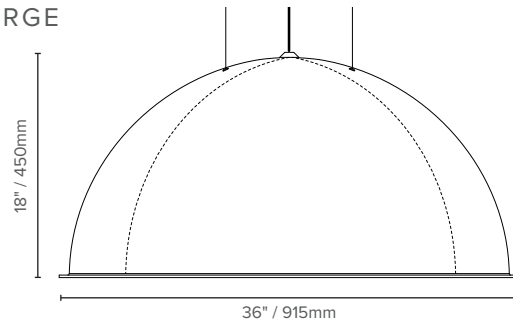
TYPE:

PRODUCT DIMENSIONS

MEDIUM

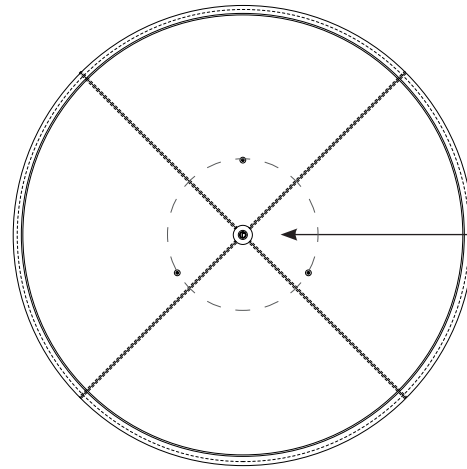


LARGE



Power Cable centered with fixture

PCD = 12.5" / 317.5mm
3 points equally spaced at 120°



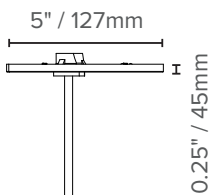
PCD = 12.5" / 317.5mm
3 points equally spaced at 120°

CANOPY INFORMATION

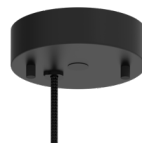
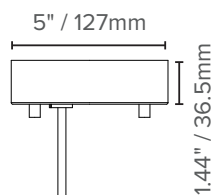
Please note power cord and canopy will always be supplied in black unless specified otherwise.

PRODUCT	SIZE	OUTPUT	UNIVERSAL (UNV)			GLOBAL (G)	
			RD	CD	E26	RD	E27
LX-HI	ALL SIZES	D	SA5	CD5	SA5	SB1	SB1

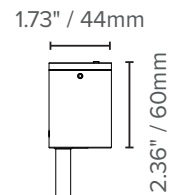
SA5



CD5



SB1



Luxbox reserves the right to change the specification, material and colors at any time without notice. Standard warranty terms and conditions apply. All rights reserved © All dimensions and values on specification sheet are nominal. Colors are subject to lead times and variations across batches. Birdcage Hemii product code LX-BC-HI. February 2024. LX-Hemii-Spec-SheetV2 v5.3



LUXBOX USA INC × (P)+1 (415) 871 0448 × USA@LUXBOX.COM
LUXBOX PTY LTD × (P)+61 7 3257 2822 × INFO@LUXBOX.COM
WWW.LUXBOX.COM

