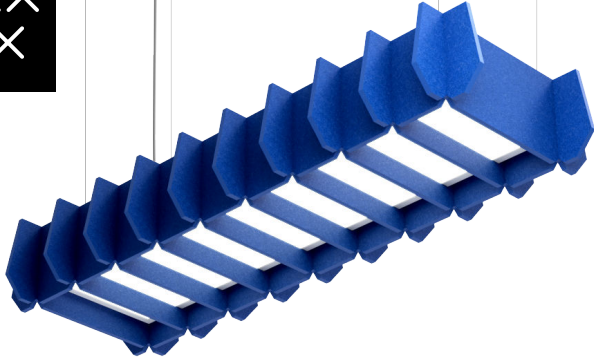




MATRIX (LX-MA)



TYPE:

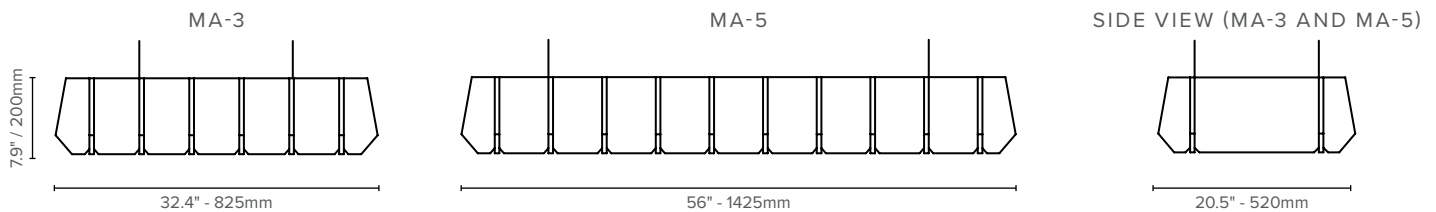
KEY FEATURES

- Highly effective noise absorption
- Join any number of fixtures for continuous run lengths
- 2 sizes and a wide range of colors
- High performance dimmable LED light source (Direct) and optional upwards wash dimmable LED lighting (Indirect)
- UGR<19
- Height adjustable 9' / 3m suspension cables and Black woven power cable
- IES photometric files available
- L70 lifetime rating of 50,000 hours

OPTIONAL EXTRAS

- Additional options available upon request
- POE
 - Bluetooth controller (US & EU only)
 - Tunable White output
 - White canopy and power cord

SIZE, OUTPUT AND WEIGHT



	MA-3		MA-5	
	Direct OR Indirect	Direct + Indirect	Direct OR Indirect	Direct + Indirect
Output				
Delivered Lumens	2471lm	4942lm	3645lm	7290lm
Wattage	34W	68W	46W	92W
Efficacy	73 lm/W		79 lm/W	
Weight	8.4 lbs / 3.8Kg		14.5 lbs / 6.6 Kg	

ORDER CODE

EXAMPLE: LX - MA - 5 - R - 35 - D - UNV - RD

(Luxxbox MATRIX, MA-5 (56" / 1425mm), Red, 3500K, direct output, Universal 110-277V / 0-10V 10% dimming, Remote driver)

LX - MA	LENGTH		SHADE COLOR	COLOR TEMP		OUTPUT		REGION / DIMMING		DRIVER TYPE		
MA	3	32.4" / 825mm	Use color codes as shown	30	3000K	D	Direct	UNV	0 - 10V - 10% dimming (120-277V) (North America only)		CD	Canopy concealed driver (UNV/North America only)
	5	56" / 1425mm		35	3500K	I	Indirect		G	1% dimming DSI/DALI (220 - 240V)***		
	C	Custom (specify length)*		40	4000K	DI	Direct + Indirect			RD	Remote driver (UNV or G)	
				A**	Acoustic only							

*Refer to Matrix Infinite page

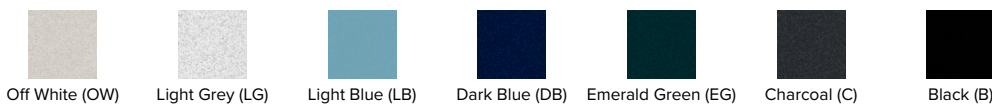
**For acoustic baffle only, specify A in the 'color temp' column and leave the remaining columns blank

*** Global (G) dimming type is available with Remote driver (RD) only

AVAILABLE COLORS

Colors are subject to lead times and variations across batches

CORE



DESIGNER



Luxxbox reserves the right to change the specification, material and colors at any time without notice. Standard warranty terms and conditions apply. All rights reserved © All dimensions and values on specification sheet are nominal. June 2023. LX-Matrix-Spec-Sheet-v7.00



LUXXBOX USA INC × (P)+1 (415) 871 0448 × USA@LUXXBOX.COM
 LUXXBOX PTY LTD × (P)+61 7 3257 2822 × INFO@LUXXBOX.COM
 WWW.LUXXBOX.COM



PHOTOMETRICS

Option	MA-3		MA-5	
	Direct OR Indirect	Direct AND Indirect	Direct OR Indirect	Direct AND Indirect
Total Lumens Delivered	2471lm	4942lm	3645lm	7290lm
Wattage	34W	68W	46W	92W
Efficacy	73 lm/W			
CRI	90+			
CCT	300-3500-4000 K			
UGR	<19			

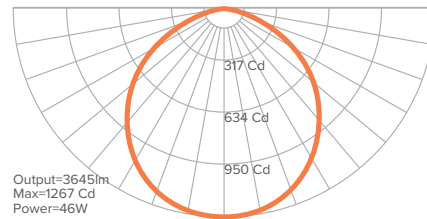
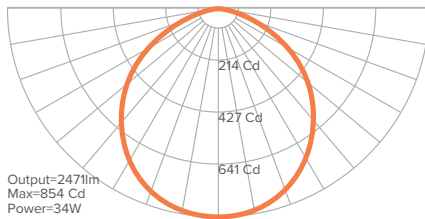
LUMINOUS INTENSITY DISTRIBUTION

MA-3

MA-5

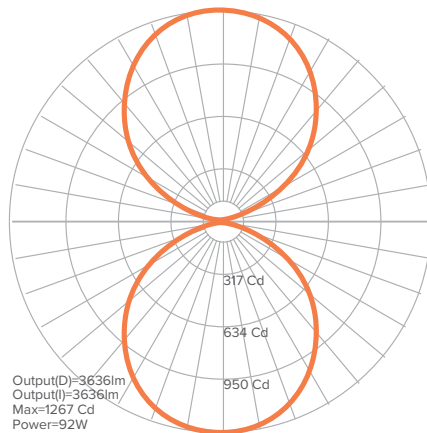
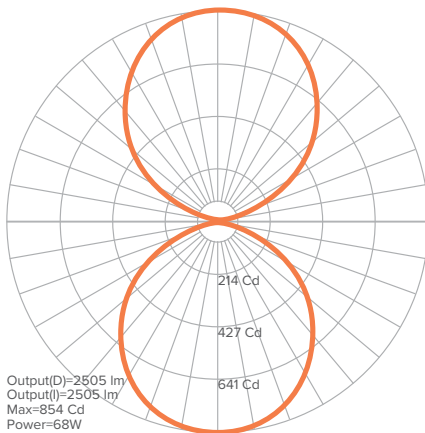
DIRECT

DIRECT



DIRECT-INDIRECT


DIRECT-INDIRECT




Luxxbox reserves the right to change the specification, material and colors at any time without notice. Standard warranty terms and conditions apply. All rights reserved © All dimensions and values on specification sheet are nominal. June 2023. LX-Matrix-Spec-Sheet-v7.00

TYPE:

DRIVER INFORMATION

UNIVERSAL 110-277 VAC / 0-10V 10% DIMMING (North America only)				
Size	Output	Wattage	Voltage	Compliance
MA-3	D	34	10-55VDC	
	DI	68		
MA-5	D	46		
	DI	92		

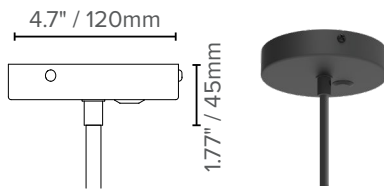
GLOBAL 220-240V 1% DIMMING DSI DALI				
Size	Output	Wattage	Voltage	Compliance
MA-3	D	34	6-52VDC	
	DI	68		
MA-5	D	46		
	DI	92		

CANOPY INFORMATION

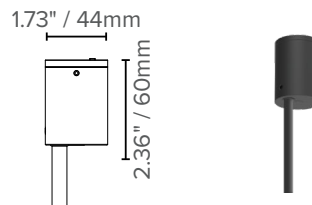
Please note power cord and canopy will always be supplied in black unless specified otherwise.

PRODUCT	SIZE	OUTPUT	UNIVERSAL (NORTH AMERICA)		GLOBAL
			RD	CD	RD
LX-MA	MA-3	D	SA1	CD9	SB1
		DI	SA1	CD13	SB1
	MA-5	D	SA1	CD9	SB1
		DI	SA1	CD13	SB1

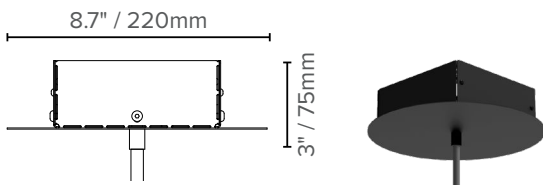
SA1/SA2



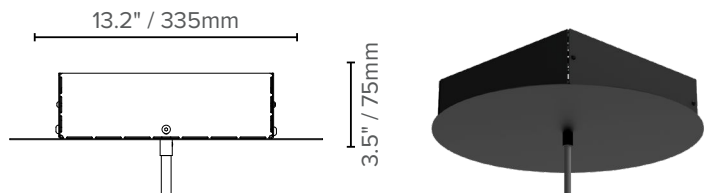
SB1/SB2



CD9



CD13



Luxxbox reserves the right to change the specification, material and colors at any time without notice. Standard warranty terms and conditions apply. All rights reserved © All dimensions and values on specification sheet are nominal. June 2023. LX-Matrix-Spec-Sheet-v7.00

MATERIAL SPECIFICATIONS

COLOR FASTNESS TO LIGHT:	ISO 105-B02-1994 Rating: 6-7
FIRE TEST:	AS 1530.3 / ISO 9705: Group 1 / GB8624 B1 / ASTM E-84-14 (Class A, FSI:20 - SDI:450) / BS EN13501-1:2007+A1:2009 (B-s1, d0)
ENVIRONMENTAL:	PET achieves GreenTag Certification / GreenRate: Level A
THERMAL TRANSITION:	ASTM C518-2010, R- Value = 0.30 m ² K/W
SOUND ABSORPTION:	AS ISO 354 – 2006 / Noise reduction coefficient (NRC) = 0.85
VOC EMISSIONS:	ASTM D5116 Rate: < 0.01 mg/m ² /hr (7 days)

Please note some of these certificates will apply to specific colors.

PRODUCT ACOUSTIC PROPERTIES

Testing and post analysis procedures were carried out in accordance with the references detailed below:

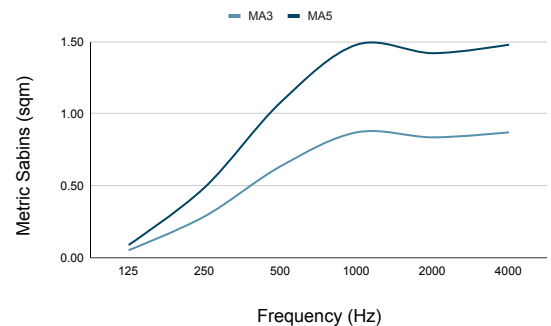
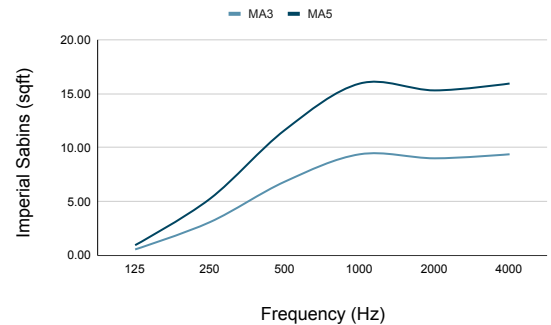
AS ISO 354-2006 (R2016)	Acoustics—Measurement of sound absorption in a reverberation room
AS ISO 11654—2002	Rating of sound absorption—Materials and systems
ASTM C423-17	Standard Test Method for Sound Absorption and Sound Absorption Coefficients by the Reverberation Room Method
ASTM E795-16	Standard Practices for Mounting Test Specimens During Sound Absorption Tests
ISO 20189	Screens, furniture and single objects intended for interior use – Rating of sound absorption and sound reduction of elements based on laboratory measurements.

IMPERIAL SABINS

Frequency (Hz)	Sound Absorption Coefficient	MA-3	MA-5
125	0.06	0.56	0.96
250	0.33	3.09	5.26
500	0.73	6.84	11.63
1000	1	9.38	15.93
2000	0.96	9.00	15.29
4000	1	9.38	15.93

METRIC SABINS

Frequency (Hz)	Sound Absorption Coefficient	MA-3	MA-5
125	0.06	0.05	0.09
250	0.33	0.29	0.49
500	0.73	0.64	1.08
1000	1	0.87	1.48
2000	0.96	0.84	1.42
4000	1	0.87	1.48



The Sabin data shown above is in accordance with the latest International Standards for the rating of sound absorption and reduction. This is different from the classic methodology, which includes the calculation of the Noise Reduction Coefficient (NRC), the Sound Absorption Average (SAA), the Weighted Sound Absorption Coefficient (**α_w**) and the Sound Absorption Class (SAC). However, to make it easier to compare against other products, we are including that information on the table on the right, which was calculated using the Horizontal Floor Area method. Fully detailed test reports are available upon request.

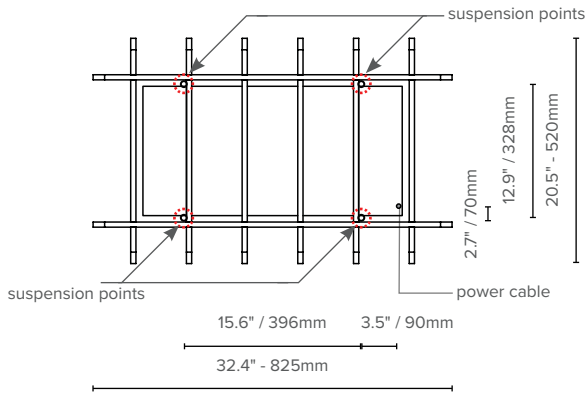
NRC	0.75
SAA	0.75
α _w	0.60
SAC	C

Luxxbox reserves the right to change the specification, material and colors at any time without notice. Standard warranty terms and conditions apply. All rights reserved © All dimensions and values on specification sheet are nominal. June 2023. LX-Matrix-Spec-Sheet-v7.00

PRODUCT DIMENSIONS

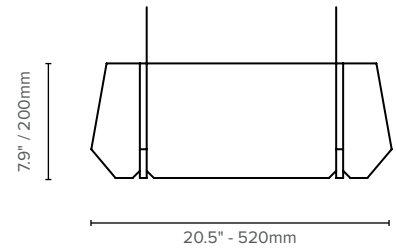
TOP VIEWS

MA-3

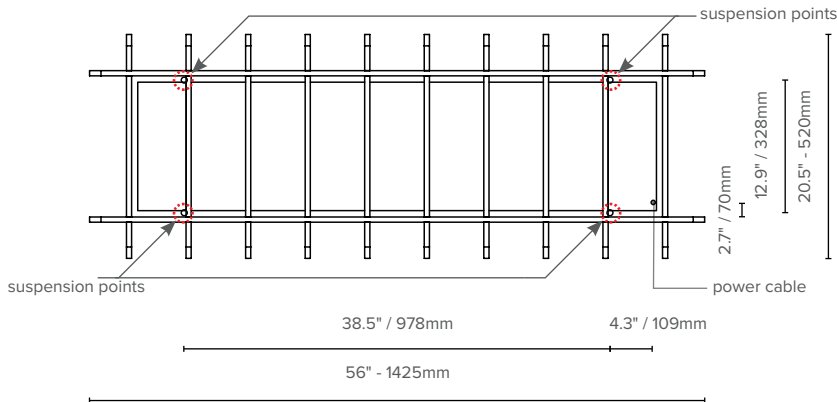


SIDE VIEW

MA-3 AND MA-5



MA-5



Luxxbox reserves the right to change the specification, material and colors at any time without notice. Standard warranty terms and conditions apply. All rights reserved © All dimensions and values on specification sheet are nominal. June 2023. LX-Matrix-Spec-Sheet-v7.00

TYPE:

MATRIX INFINITE

Choose any standard panel size and connect to create long lengths. Interconnected runs of up to 32'(10m) provide the perfect solution for lighting corridors and hallways, while acting as a means of sound management.

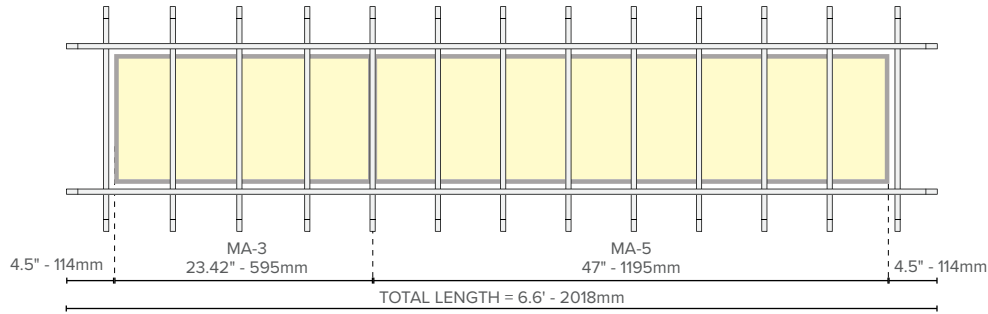
To create your custom length, combine light panels MA-3 and MA-5 and add a length of 4.5" / 114mm to each side. Please see below example drawings for reference.

LIGHT PANEL SIZES	
MA-3	MA-5
23.42" x 11.6"	47" x 11.6"
595 x 295	1195 x 295

EXAMPLE 1 - LENGTH = 6.6' / 2018MM = MA-3 + MA-5

Order code: LX - MA - C(79.45/2018) - O - 35 - D - UNV - RD - Y

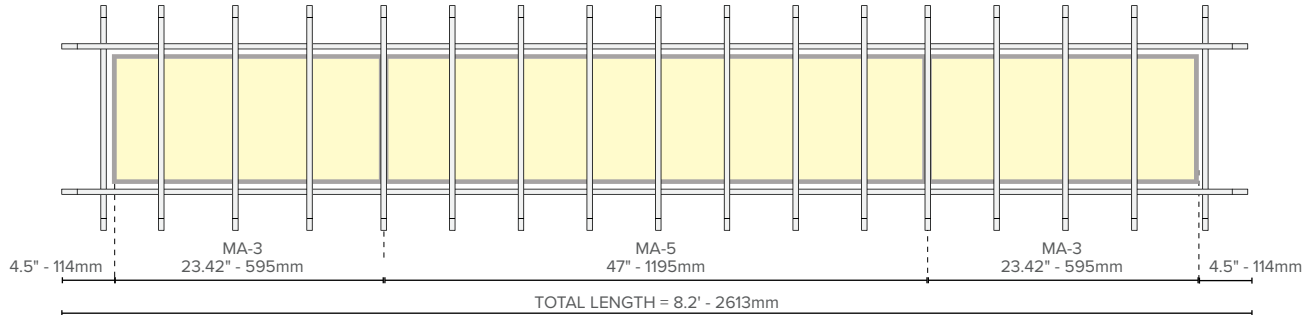
(Luxxbox MATRIX, Custom length (79.45" / 2018mm), Orange, 3500K, direct output, Universal 110-277V / 0-10V dimming, Remote driver, Casambi bluetooth)



EXAMPLE 2 - LENGTH = 8.2' / 2613MM = MA-3 + MA-5 + MA-3

Order code: LX - MA - C(8.2'/2613mm) - LGR - 35 - DI - UNV - RD

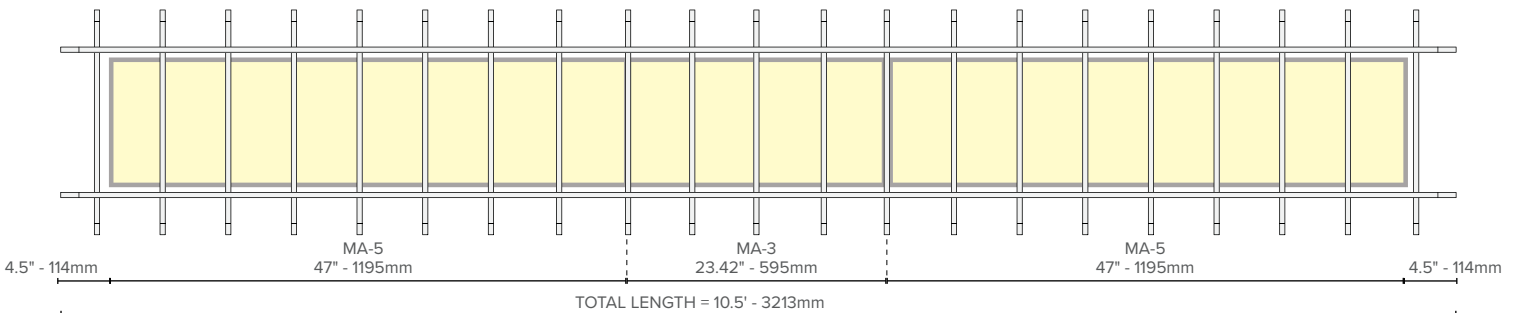
(Luxxbox MATRIX, Custom Length (8.2' / 2613mm), Light green, 3500K, direct + indirect output, Global 220-240V DSI/DALI, Remote driver, no Casambi bluetooth)



EXAMPLE 3: LENGTH = 10.5' / 3213MM = MA-5 + MA-3 + MA-5

Order code: LX - MA - C(10.5'/3213mm) - SB - 40 - D - UNV - RD

(Luxxbox MATRIX, Custom Length (10.5' / 3213mm), steel blue, 4000K, direct output, Global 220-240V DSI/DALI, Remote driver, no Casambi bluetooth)



Luxxbox reserves the right to change the specification, material and colors at any time without notice. Standard warranty terms and conditions apply. All rights reserved © All dimensions and values on specification sheet are nominal. June 2023. LX-Matrix-Spec-Sheet-v7.00