

HFA

AMELIA



AMELIA

The Amelia is a high back, formal aged care dining chair. Available with a full back or a slight gap in the back for ease of cleaning, the Amelia comes standard with an overshot arm to help residents when standing up. It has a solid hardwood Victorian ash timber frame and can be stained to match in any dining environment.



DIMENSIONS

Height	Width	Depth
970mm	580mm	520mm

SPECIFICATIONS

- Australian Made
- 5 year warranty
- Solid Victorian Ash timber
- Fire retardant foam
- Overshot arm rests for ease of standing

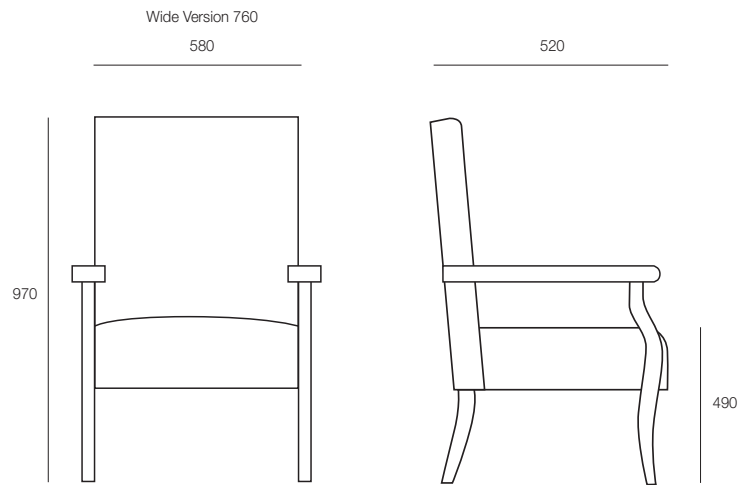
OPTIONS

- Wide version (760 W, 630 D, 980 H)
- Colour stain match
- Upholstered in selected material
- Open back
- Full back
- No arms

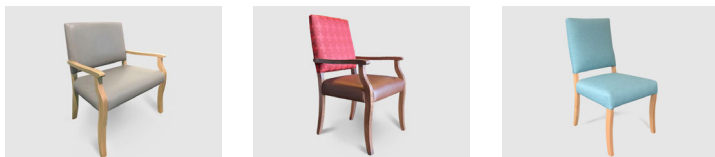
GENERAL

Origin	Lead Time
Australia	4 weeks

TECHNICAL DRAWINGS



PRODUCT OPTIONS






HFA



1F Marine Parade
Abbotsford, Victoria
3067 Australia

T +61 (3) 9818 8400
F +61 (3) 9818 6655
info@hfa.com.au

 ecf.com.au
 ecf.hfa
 @ecf_hfa

