

HFA

VENICCI





# VENICCI

The Venicci is available in many variations including different finishes and bases. The back design can be either square or rounded depending on the environment and is also available in a beam option for waiting areas. This chair is sturdy and durable for high volume use right throughout hospital or office environments.



## DIMENSIONS

Height	Width	Depth
825mm	Various	495mm

## SPECIFICATIONS

- Australian made
- 5 year warranty
- 135kg weight rating
- AFRDI 6 certified
- Four leg powder coated
- Fully upholstered seat and back

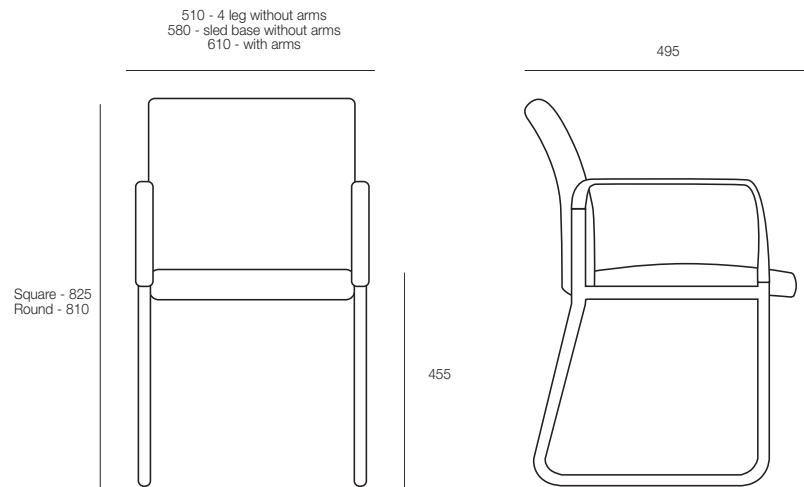
## OPTIONS

- Round or square back
- Sled or 4 leg frame
- Powder coat or chrome finish
- Stackable
- Optional armrests
- Available in 2, 3, 4 and 5 seat beam configurations

## GENERAL

Origin	Lead Time
Australia	4 weeks

## TECHNICAL DRAWINGS



Beam Overall width:  
1 seater 510  
2 seater 1100  
3 seater 1660  
4 seater 2240  
5 seater 2820

## PRODUCT OPTIONS






HFA



1F Marine Parade  
Abbotsford, Victoria  
3067 Australia

T +61 (3) 9818 8400  
F +61 (3) 9818 6655  
info@hfa.com.au

 ecf.com.au  
 ecf.hfa  
 @ecf\_hfa

