

HFA | SWAN



SWAN

The Swan chair is unique in its design through its small, exposed timber detailed back. The slight overshoot arm assists residents hold onto the chair as they stand up. The large open gap in the back is a great benefit for cleaning within a dining environment.



DIMENSIONS

Height	Width	Depth
870mm	565mm	540mm

SPECIFICATIONS

Frame made in Italy
Assembled and upholstered in Australia
5 year warranty
European Beech timber frame in clear lacquer
Upholstered in any suitable fabric, leather or vinyl

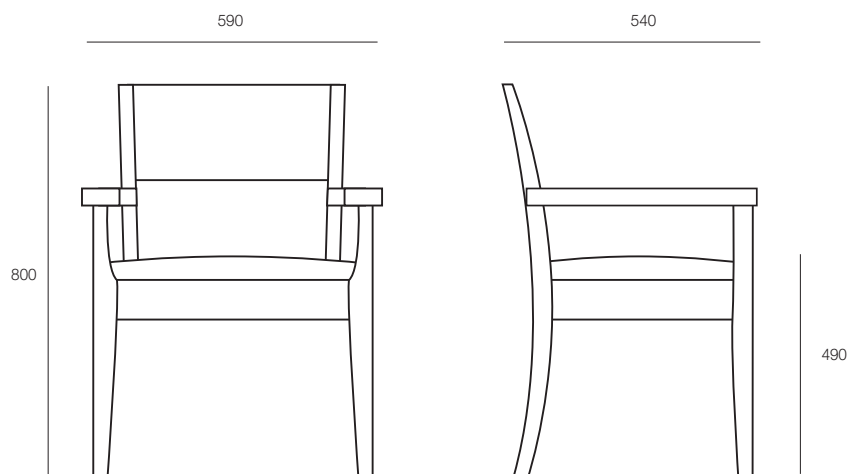
OPTIONS

Fire retardant seat foam
Colour stain matching

GENERAL

Origin	Lead Time
Europe	4 weeks

TECHNICAL DRAWINGS






HFA



1F Marine Parade
Abbotsford, Victoria
3067 Australia

T +61 (3) 9818 8400
F +61 (3) 9818 6655
info@hfa.com.au

 ecf.com.au
 ecf.hfa
 @ecf_hfa

