

ecf | MOJO



MOJO

The Mojo with its curved back and cylindrical disc base is ideal in a reception or waiting area. Its design allows for two toned upholstery and the padded seat for added support. The base is finished in chrome.



DIMENSIONS

Height	Width	Depth
800mm	680mm	670mm

SPECIFICATIONS

Australian Made

5 year warranty

Fully upholstered shell stainless steel disc base

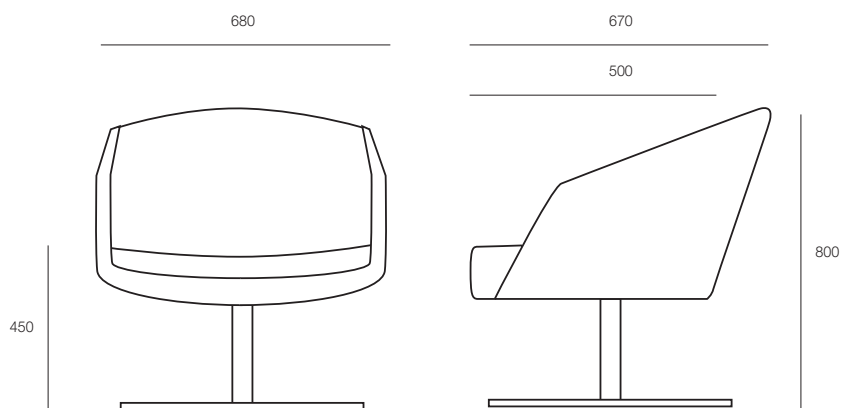
OPTIONS

Polished chrome disc base

GENERAL

Origin	Lead Time
Australia	4 weeks

TECHNICAL DRAWINGS



ecf



1F Marine Parade
Abbotsford, Victoria
3067 Australia

T +61 (3) 9818 5444
F +61 (3) 9818 6655
info@ecf.com.au



ecf.com.au



ecf.hfa



@ecf_hfa

