

HFA

IBIZA OUTDOOR CHAIR



# IBIZA OUTDOOR CHAIR

The Ibiza Armchair is an injection moulded resin chair, the non-metallic frame will never unravel, rust or decay, with rattan look seat and back. Reinforced with glass fibre to strengthen the legs and boost the weight capacity. Stackable and designed for outdoor use. The Ibiza Armchair works perfectly when paired with the Orlando outdoor table.



## DIMENSIONS

Height	Width	Depth
880mm	570mm	550mm

## SPECIFICATIONS

- Made in Europe
- 2 year structural warranty
- CATAS certified
- Static weight load: 150kg
- Suitable for indoor and outdoor commercial use
- Weather resistant and UV-stabilised
- Glass fibre reinforced
- Stackable 6 high

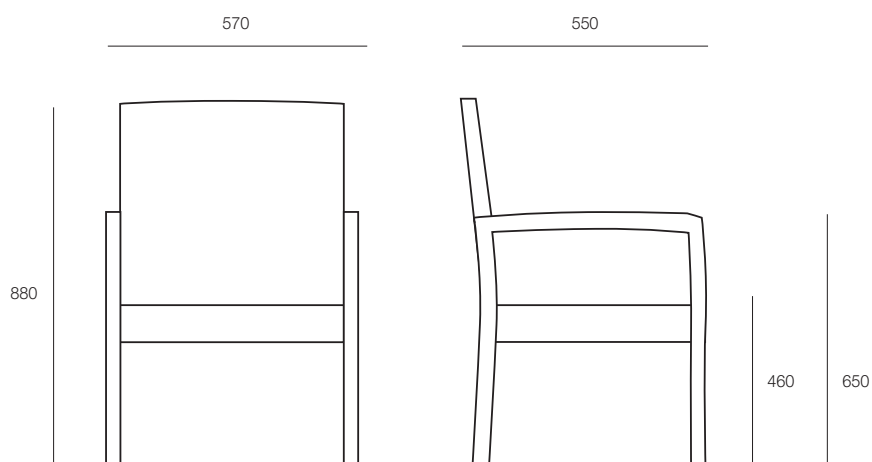
## OPTIONS

- Available in Chocolate, Anthracite and White
- Upholstered seat cushion

## GENERAL

Origin	Lead Time
Australia	4 weeks

## TECHNICAL DRAWINGS



## PRODUCT OPTIONS






HFA



1F Marine Parade  
Abbotsford, Victoria  
3067 Australia

T +61 (3) 9818 8400  
F +61 (3) 9818 6655  
info@hfa.com.au

 ecf.com.au  
 ecf.hfa  
 @ecf\_hfa

