

ecf | MAYA



MAYA

The Maya is ideal for a range of applications including meeting rooms, cafeterias, training rooms and waiting areas. The Maya features a slimline profile and distinct arm detail.



DIMENSIONS

Height	Width	Depth
830mm	580mm	490mm

SPECIFICATIONS

- 5 Year warranty
- High tensile steel tube frame
- AFRDI approved
- Stackable on four legs with or without arms

OPTIONS

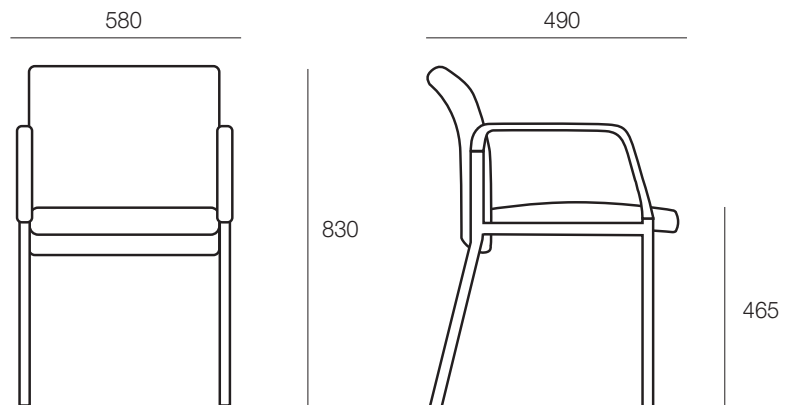
- Chrome or black powdercoat
- With or without arms
- Fabric or vinyl

GENERAL

Origin	Lead Time
Australia	4 weeks



TECHNICAL DRAWINGS






ecf



1F Marine Parade
Abbotsford, Victoria
3067 Australia

T +61 (3) 9818 5444
F +61 (3) 9818 6655
info@ecf.com.au

 ecf.com.au
 ecf.hfa
 @ecf_hfa

