

ecf | WHYY



WHYY

A table that makes a statement perfect for boardrooms, meeting rooms or breakout spaces. The Whyy table features a modern and industrial steel base in a unique and creative design. The base is available in steel powdercoat or timber. Tops are available in laminate, veneer or solid timber in either rectangular or elliptical.



DIMENSIONS

Height	Width	Depth
720mm	1500-3600mm	1500mm

SPECIFICATIONS

Australian made
Steel base
Powdercoat finish

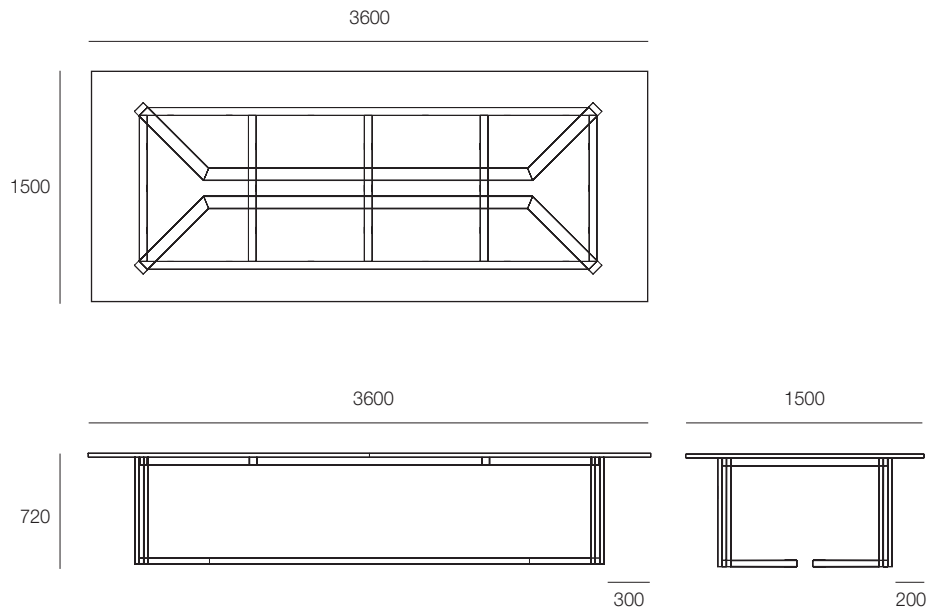
OPTIONS

Steel or timber base
Laminate, veneer or solid timber tops
Rectangular or Elliptical top
Base can be fully welded or made in pieces.
Bar height available 900-1020mm

GENERAL

Origin	Lead Time
Australia	4-6 weeks

TECHNICAL DRAWINGS






ecf



1F Marine Parade
Abbotsford, Victoria
3067 Australia

T +61 (3) 9818 5444
F +61 (3) 9818 6655
info@ecf.com.au

 ecf.com.au
 ecf.hfa
 @ecf_hfa

