

HFA

TEQUILA OUTDOOR LOUNGE



TEQUILA OUTDOOR LOUNGE

The Tequila Lounge is an injection moulded resin chair, the non-metallic frame will never unravel, rust or decay, with rattan look seat and back. Reinforced with glass fibre to strengthen the legs and boost the weight capacity. The Tequila Lounge Armchair is stackable and designed for outdoor use. Strong yet lightweight, this chair will add class to your facility. Its sleek profile is pleasant to the eye so this chair is as charming as it is functional. Very easy to clean, just hose it down.



DIMENSIONS

Height	Width	Depth
890mm	various	various

SPECIFICATIONS

2 year structural warranty

Made in Europe

Stackable to 3 high

Suitable for indoor and outdoor use

SWL: 150 kg

UV resistant flat resin wicker

Weather resistant, UV Stabilised - Will not fade under direct sunlight

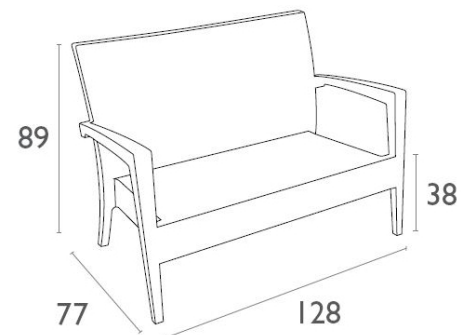
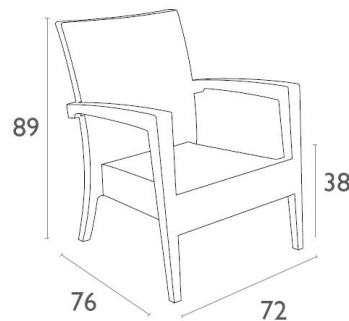
OPTIONS

Available in Chocolate & Anthracite

GENERAL

Origin	Lead Time
Australia	4 weeks

TECHNICAL DRAWINGS



PRODUCT OPTIONS






HFA



1F Marine Parade
Abbotsford, Victoria
3067 Australia

T +61 (3) 9818 8400
F +61 (3) 9818 6655
info@hfa.com.au

 ecf.com.au
 ecf.hfa
 @ecf_hfa

