

HFA

STEPHANIE



STEPHANIE

The Stephanie is an elegant dining chair with exposed timber ash arms and legs. These can be stained to match any formal dining environment. Team the Stephanie with an elegant matching dining table from our exclusive range to complete the look.



DIMENSIONS

Height	Width	Depth
880mm	570mm	550mm

SPECIFICATIONS

Australian made
5 year warranty
Solid Victorian Ash timber
Fire retardant foams

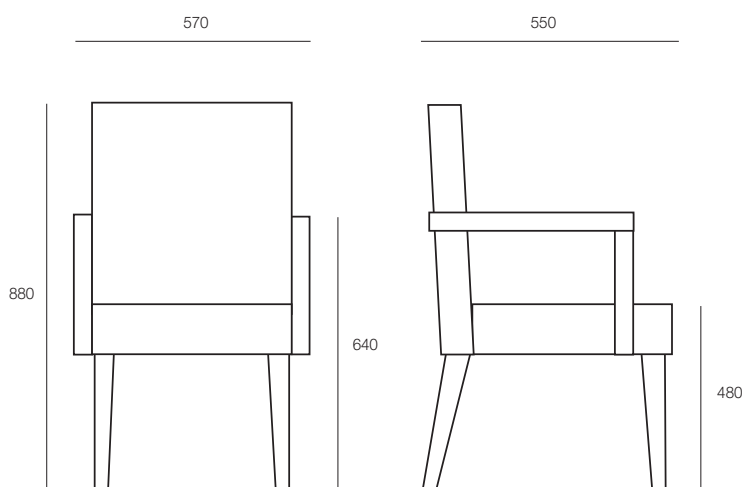
OPTIONS

Available with or without arms
Upholstered in selected fabrics
Colour stain match

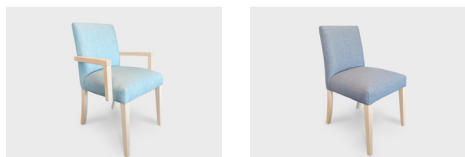
GENERAL

Origin	Lead Time
Australia	4 weeks

TECHNICAL DRAWINGS



PRODUCT OPTIONS






HFA



1F Marine Parade
Abbotsford, Victoria
3067 Australia

T +61 (3) 9818 8400
F +61 (3) 9818 6655
info@hfa.com.au

 ecf.com.au
 ecf.hfa
 @ecf_hfa

