

HFA

SPECTRUM



SPECTRUM

The Spectrum 160 chair has been certified to AFRDI 142 and therefore rated to a dynamic load of 160Kg. It's specially designed contour seat has been designed for comfort and practicality. It has a 3 lever mechanism and is fully ergonomic.



DIMENSIONS

Height	Width	Depth
940-1190mm	650mm	530mm

SPECIFICATIONS

- New Zealand Made
- 7 year warranty
- Three lever ergonomic mechanism
- Black 5 way base
- Gaslift height adjustment
- Height adjustable back rest for targeted lumbar support
- AFRDI 142 approved to dynamic load of 160KG

OPTIONS

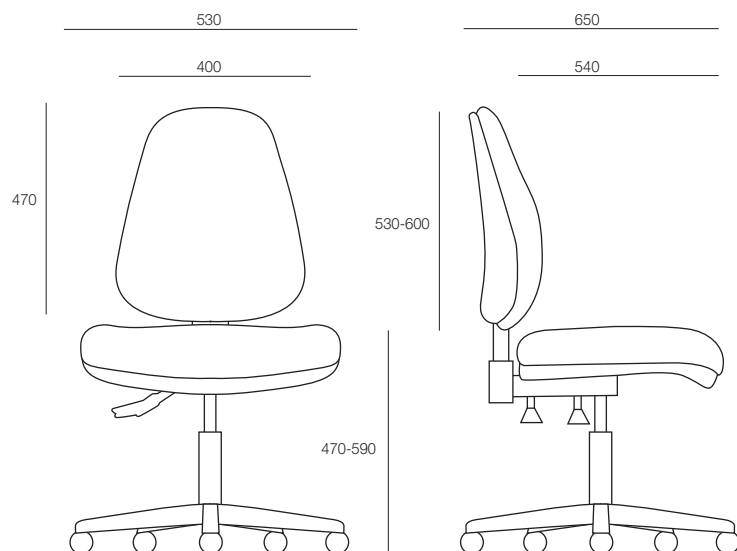
- Adjustable height arms

GENERAL

Origin	Lead Time
New Zealand	6 weeks



TECHNICAL DRAWINGS



1F Marine Parade
Abbotsford, Victoria
3067 Australia

T +61 (3) 9818 8400
F +61 (3) 9818 6655
info@hfa.com.au

ecf.com.au
 ecf.hfa
 @ecf_hfa

