

Runway



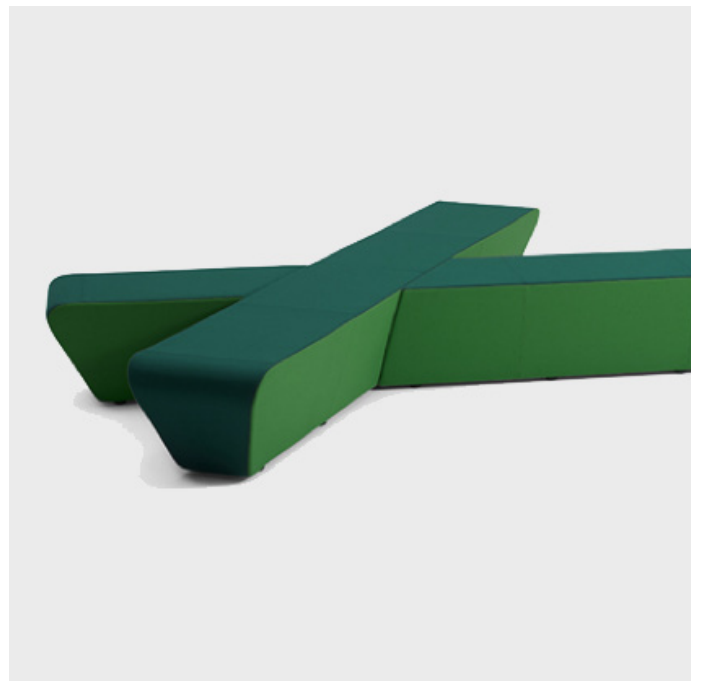
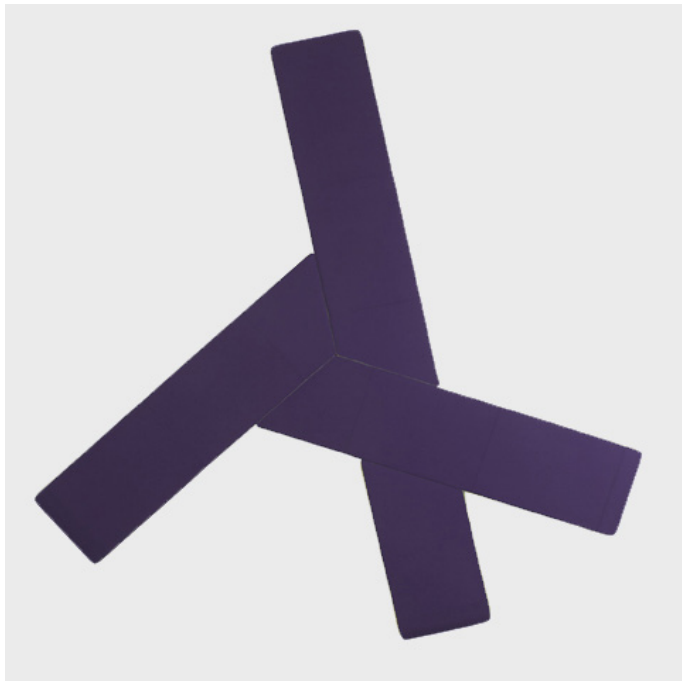
+Halle®

Runway

Runway allows the creation of unique and graphic units with just a few elements. Alternatively, the units can be put together in larger combinations. Seen from above, the units create graphic impressions that interact with the details of the contemporary architecture. The high level of individualism is supported by the endless possibilities for combinations in choice of fabrics, colors, and contrast stitching. The design of the angled sides merges aesthetics and function as it offers a dynamic expression and easy ergonomics when rising from the seat.

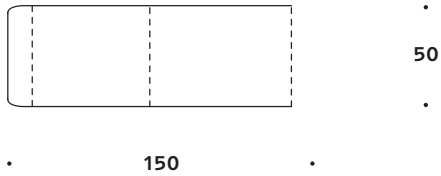
Designed by busk+hertzog

The Danish design duo was established in 2000 with a clear vision of being innovative and professional - but also with the aim of leading and inspiring a new generation of designers to further develop the Danish design legacy. The duo is located in Lisbon.

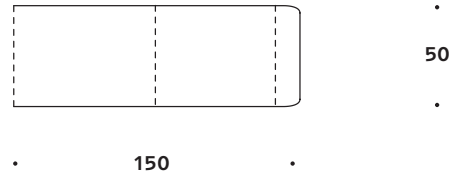


Components

Base set left



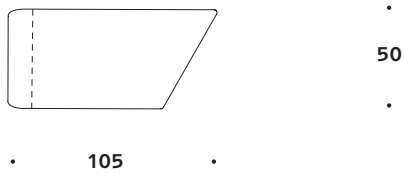
Base set right



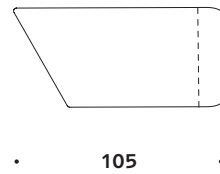
Extension



Small addition A



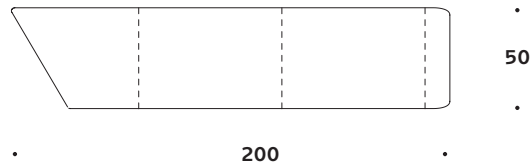
Small addition B



Large addition A



Large addition B



Components dimensions (all components have a seating height of 42 cm)

Dimensions defined in centimeters

Runway Specifications

Design

busk+hertzog

Material

High quality foam on plywood frame. Plastic glides. Metal connecting brackets

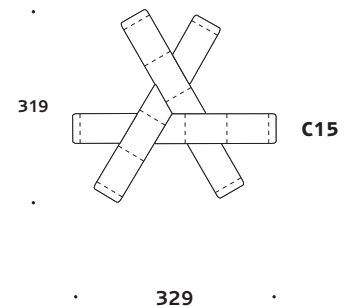
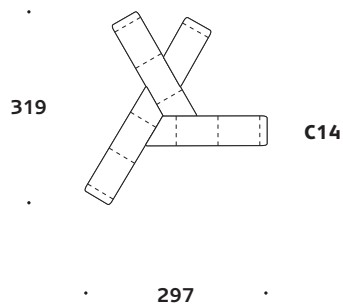
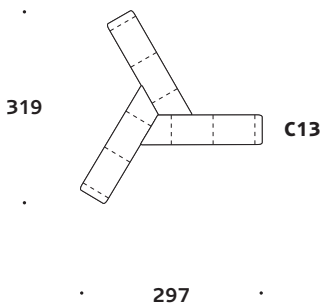
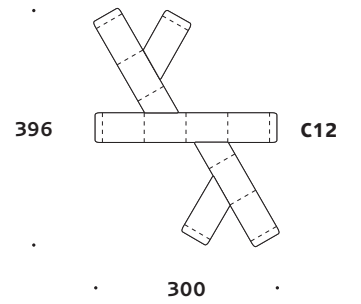
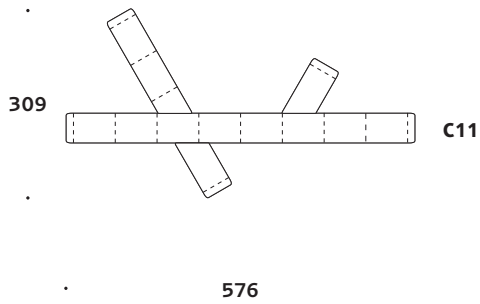
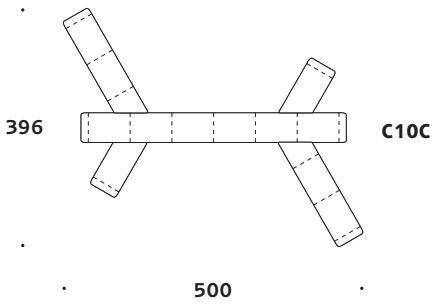
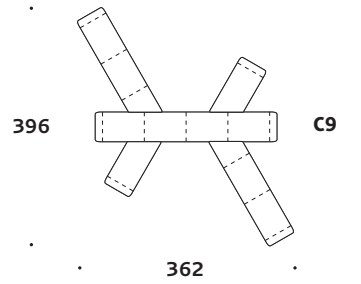
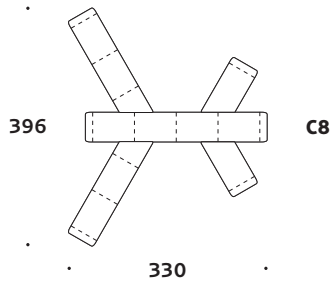
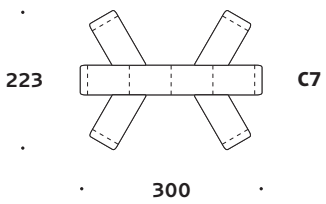
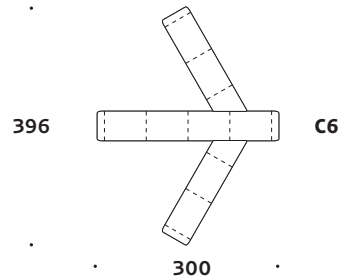
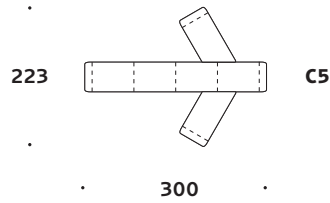
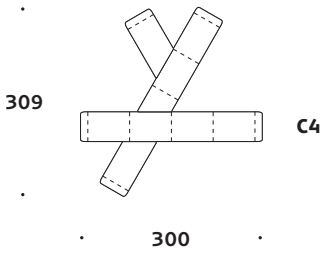
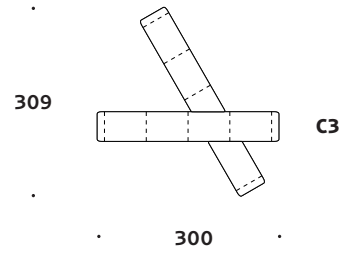
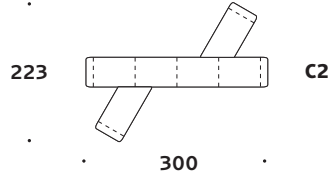
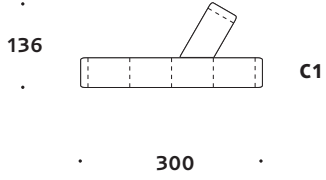
Fabric

Available in all textiles and leather types

Config.

On the following page you can find standard configurations that can be used as templates. Alternatively, combine the standard components and make an individual layout. The only limitation is that you need a minimum of one ADDITION component per 3 meter of base set/extension.

Standard Configuration



Notes

A large grid of small dots for taking notes.

Creating human spaces

+Halle is a Danish high quality design furniture brand. We strive to add value to public areas by contributing to the creation of Human Spaces. The basic idea behind +Halle can be put down to a basic understanding of people.