

ecf | PROP



PROP

The Prop side table is a fun and creative solution to breakout areas in the office. It is easily manoeuvred and can be used to prop up a laptop or other stationery. The table leg has a powder coat finish which allows for bright and vibrant colours to be used.



DIMENSIONS

Height	Width	Depth
550mm	410mm	410mm

SPECIFICATIONS

Occasional table
410mm diam, 550mm high Laser cut
5/8mm metal plate with 3 fin base
New Zealand Made, 5 year warranty

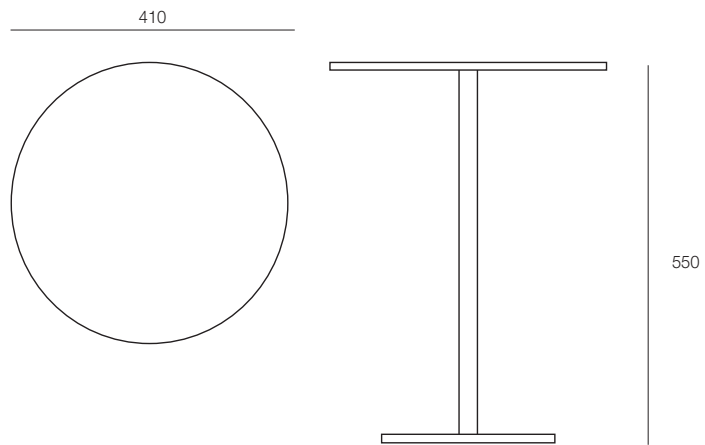
OPTIONS

Powder coated in ecf standard colours

GENERAL

Origin	Lead Time
New Zealand	6 weeks

TECHNICAL DRAWINGS



PRODUCT OPTIONS






ecf



1F Marine Parade
Abbotsford, Victoria
3067 Australia

T +61 (3) 9818 5444
F +61 (3) 9818 6655
info@ecf.com.au

 ecf.com.au
 ecf.hfa
 @ecf_hfa

