

HFA

POSITION 600



POSITION 600

The Position 600 task chair is a robust office chair. This comfortable and affordable chair comes in two backrest heights and is available as a drafting chair. It also has a two-lever ergonomic mechanism for ease of use.



DIMENSIONS

Height	Width	Depth
840mm	480mm	460mm

SPECIFICATIONS

- Made in Australia
- 5-year warranty
- AFRDI 6 approved
- 3-lever ergonomic mechanism
- Height adjustable back rest for targeted lumbar support
- Gaslift height adjustment
- Black 5-way base

OPTIONS

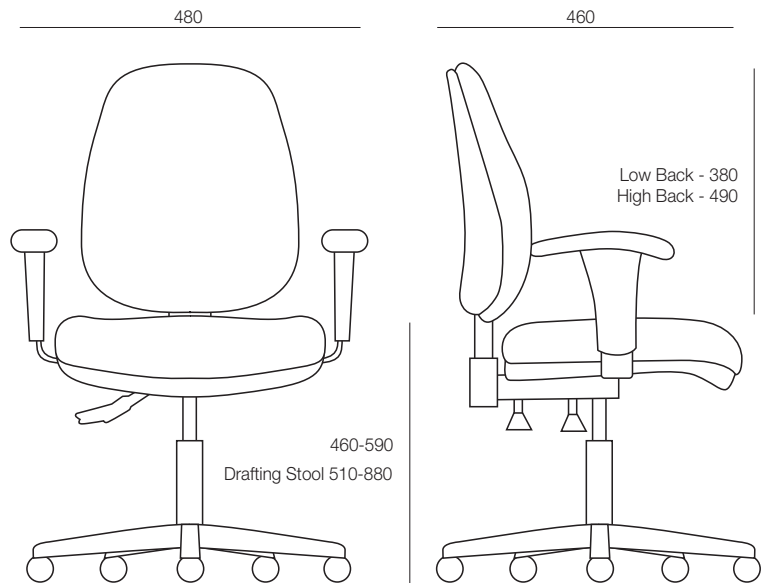
- High or low back
- Drafting Stool
- Polished aluminium base
- Height-adjustable armrests

GENERAL

Origin	Lead Time
Australia	4 weeks



TECHNICAL DRAWINGS



PRODUCT OPTIONS






HFA



1F Marine Parade
Abbotsford, Victoria
3067 Australia

T +61 (3) 9818 8400
F +61 (3) 9818 6655
info@hfa.com.au

 ecf.com.au
 ecf.hfa
 @ecf_hfa

