

HFA

POSITION 100



POSITION 100

The Position 100 visitor chair is a durable, robust chair available in a number of different leg, arm and backrest options. This AFRDI rated chair comes in chrome or powder coated finish and is suitable for many environments including waiting rooms, training rooms, meeting rooms and offices.



DIMENSIONS

Height	Width	Depth
890mm	560mm	560mm

SPECIFICATIONS

- Australian Made
- 5 year warranty
- Four leg powder coated
- Fully upholstered seat and back
- Stackable
- AFRDI approved – Sled base only (with and without arms, non-stacking, without glides)

OPTIONS

- Polished chrome frame
- 4 Leg with Slopping Arm
- 4 Leg with Straight Arm
- Sled base
- Sled base with Slopping Arm
- Sled base with Straight Arm

PRODUCT OPTIONS

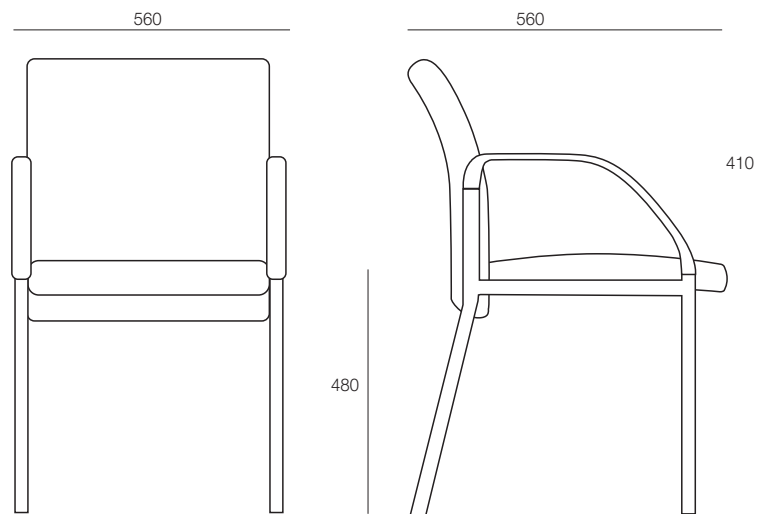


GENERAL

Origin	Lead Time
Australia	3 weeks



TECHNICAL DRAWINGS






HFA



1F Marine Parade
Abbotsford, Victoria
3067 Australia

T +61 (3) 9818 8400
F +61 (3) 9818 6655
info@hfa.com.au

 ecf.com.au
 ecf.hfa
 @ecf_hfa

