

# PODSOFA

DESIGN o4i Design Studio



**Accessories:** Electricity outlet, lap top table painted metal.

**Material description:**

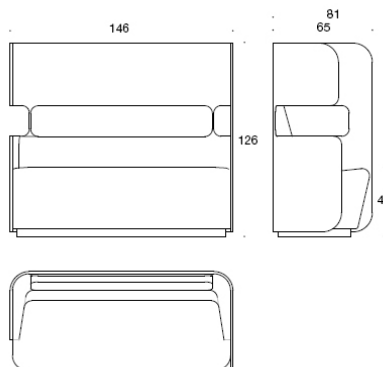
Seat upholstered, base black.

**Lap top table:** painted white or Inspiring Colours.

Screen fully upholstered.

**Carbon footprint:**

PodSofa 2982: 77.7 kg CO2e



2982