

ecf | OKIDOKI STOOL



OKIDOKI STOOL

The Okidoki stool features solid timber legs available a choice of styles, including White Ash, Walnut Stain, and White or Black Woodgrain. Set against the powdercoat colours of Okidoki's steel and aluminum framework. The Okidoki range provides plenty of flexibility with the option of chairs, stools, dining tables, coffee tables and high tables available in a range of shapes and finishes and the choice of timber or glass tops.



DIMENSIONS

Height	Width	Depth
Various	Various	Various

SPECIFICATIONS

Solid timber legs
Ply base

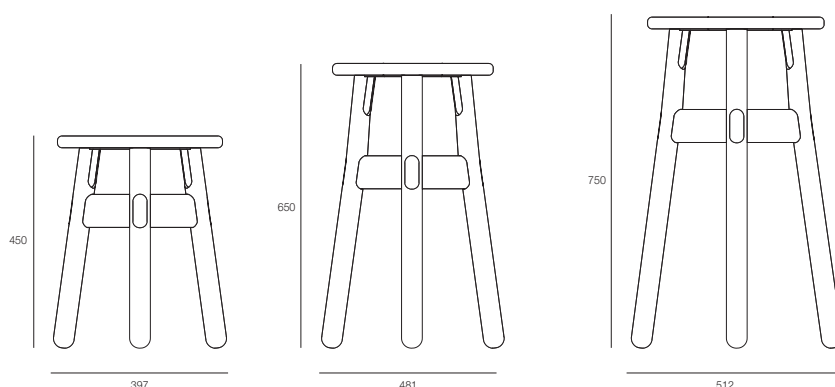
OPTIONS

Timber finishes: White Ash, Walnut Stain, and White or Black Woodgrain
Leg Cap Finish: White (standard) / Black / Quartz Grey / Opal Green / Azure Blue / Orient Red / Rose / Lemon Yellow

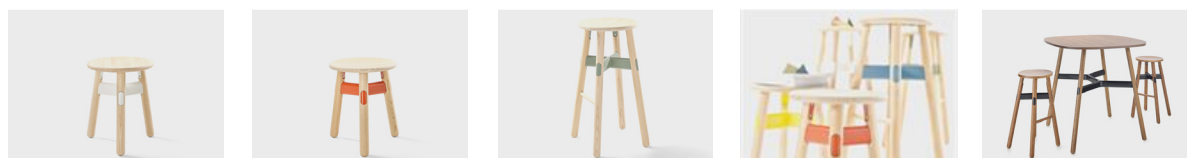
GENERAL

Origin	Lead Time
Australia	4 weeks

TECHNICAL DRAWINGS



PRODUCT OPTIONS



ecf



1F Marine Parade
Abbotsford, Victoria
3067 Australia

T +61 (3) 9818 5444
F +61 (3) 9818 6655
info@ecf.com.au

 ecf.com.au
 ecf.hfa
 @ecf_hfa

