

HFA

NETWORK



NETWORK

The Network visitor chair is available in many different colour options and is great for use in cafeterias, meeting and training rooms. This robust chair comes with a bright chrome frame and is stackable. Optional upholstered seat pad is also available.



DIMENSIONS

Height	Width	Depth
830mm	540mm	550mm

SPECIFICATIONS

5 year warranty
Perforated polypropylene back
Polished chrome four leg frame
Stackable

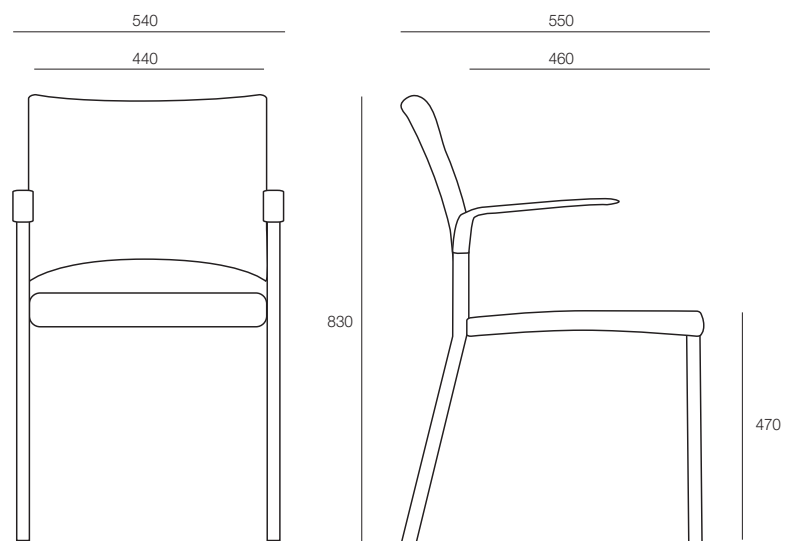
OPTIONS

Upholstered seat pad
Two choices of arms
Colours available:
01 - black
07 - light grey
11 - Anthracite
20 - White
512 - Green
514 - Sand
516 - Navy Blue
102 - Yellow
2905C - Baby Blue
3020 - Red

GENERAL

Origin	Lead Time
Europe	4 weeks

TECHNICAL DRAWINGS



PRODUCT OPTIONS






HFA



1F Marine Parade
Abbotsford, Victoria
3067 Australia

T +61 (3) 9818 8400
F +61 (3) 9818 6655
info@hfa.com.au

 ecf.com.au
 ecf.hfa
 @ecf_hfa

