

ecf | NET



NET

The Net Visitor chair is a light, practical chair suitable for many uses including meeting rooms, lunchrooms, training rooms and waiting areas. The chair comes with a perforated polypropylene back and an optional upholstered seat. It is also available in a high stool version. This chair has stacking capabilities and comes in a variety of colours.



DIMENSIONS

Height	Width	Depth
840mm	590mm	460mm

SPECIFICATIONS

- 5 year warranty
- Polypropylene seat and back
- Polished chrome sled frame
- Stackable

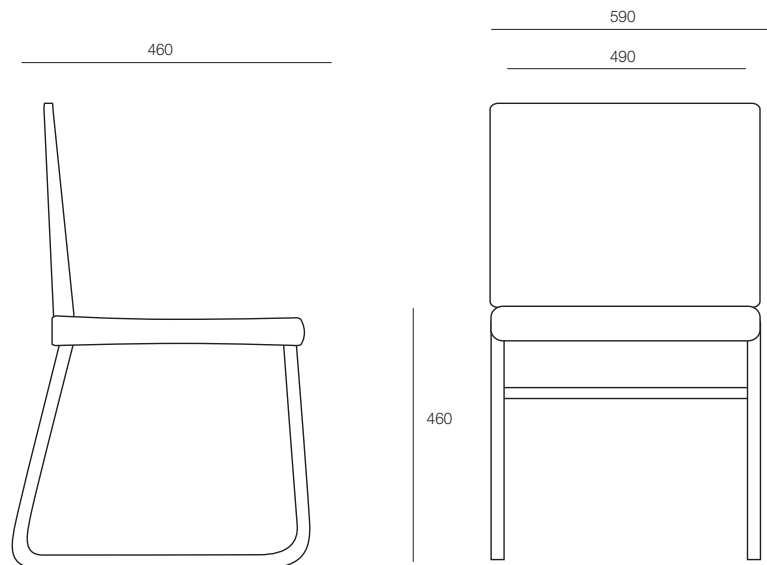
OPTIONS

- Upholstered seat pad
- Fixed arm rests
- Arms

GENERAL

Origin	Lead Time
Europe	3 weeks

TECHNICAL DRAWINGS



PRODUCT OPTIONS






ecf



1F Marine Parade
Abbotsford, Victoria
3067 Australia

T +61 (3) 9818 5444
F +61 (3) 9818 6655
info@ecf.com.au

 ecf.com.au
 ecf.hfa
 @ecf_hfa

