

ecf | HUDDLE - COLLABORATIVE >







1F Marine Parade
Abbotsford, Victoria
3067 Australia

T +61 (3) 9818 5444
F +61 (3) 9818 6655
info@ecf.com.au



ecf.com.au



ecf.hfa



@ecf_hfa



Quality
ISO 9001
SAI GLOBAL



Environment
ISO 14001
SAI GLOBAL

Modern work methods call for more collaboration. But permanent meeting rooms take up valuable real estate in open plan offices.

Enter Huddle – the adaptable soft booth that makes it easy to get together.



1F Marine Parade
Abbotsford, Victoria
3067 Australia

T +61 (3) 9818 5444
F +61 (3) 9818 6655
info@ecf.com.au



ecf.com.au



ecf.hfa



@ecf_hfa



Quality
ISO 9001
SAI GLOBAL



Environment
ISO 14001
SAI GLOBAL

Collaborative booths

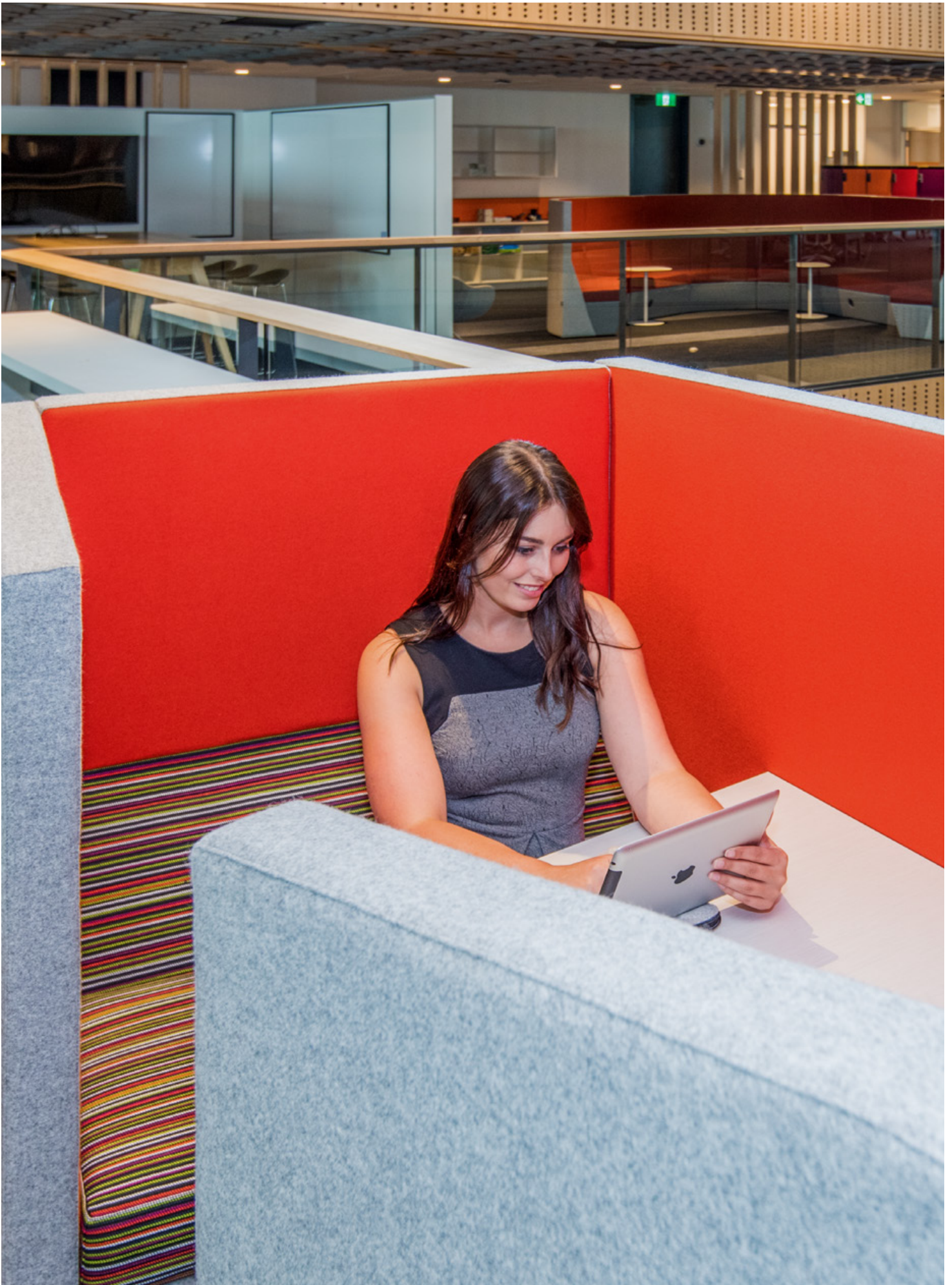
Huddle

Our versatile Huddle booths were created to meet the demand for collaborative spaces in open-plan offices. Totally freestanding, they can be placed virtually anywhere in your workplace and moved when you decide to change the layout. It's an incredibly cost-effective alternative to inflexible permanent meeting rooms.

One of the major failings of most soft seating solutions is that they're designed for simply sitting – not for working. Huddle is as much a workstation as a meeting room. The seats are easy to get in and out of, and the seat height, depth, lumbar support and foam density have all been carefully considered to help you work comfortably and ergonomically at the table.

Each booth is made up of soft walls and soft seating. Optional TV walls, tables and barleaners can be incorporated, along with whiteboards, power boxes and laptop tables. Because we live in a world of portable electronic devices, you can choose to have power, data, HDMI and USB all integrated into the booth. Power and data can either be fed from the floor or from the ceiling via cable umbilical. Fully integrated systems can be configured to include TV walls that allow you to collaborate on documents or connect with your colleagues offsite.

Huddle is a modular system so each booth is made up of elements chosen from a wide-ranging kit of parts. To make it easy, we've put together a series of standard booth configurations, each offering its own unique space and set of tools. If you need something different, we can customise the size and shape to suit your space. Because each booth is designed and manufactured in New Zealand, creating custom solutions is easy. All that's left to do then is choose a colour and fabric to suit your interior style.



1F Marine Parade
Abbotsford, Victoria
3067 Australia

T +61 (3) 9818 5444
F +61 (3) 9818 6655
info@ecf.com.au



ecf.com.au



ecf.hfa



@ecf_hfa



Quality
ISO 9001
SAI GLOBAL



Environment
ISO 14001
SAI GLOBAL

Collaborative booths

Huddle

FEATURES

Modular kit of parts with multiple standard configurations

Soft walls at 1320H and softseating with the following optional extras:

- TV walls
- Tables or barleaners with Connect Us table boxes
- Play laptop tables
- Whiteboards

Upholstered walls and seating in a range of upholstery configuration options

Integrated power, data and USB

Customisable size and shapes to suite your space

Ergonomic soft seating, optional bolster

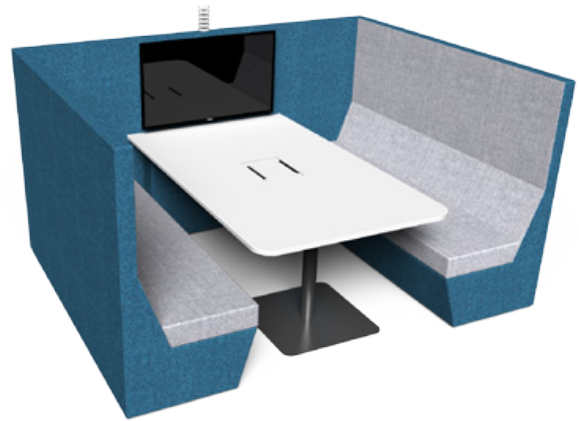
Tables (720H) or barleaners (1050H)

100% New Zealand made (excluding fabrics)

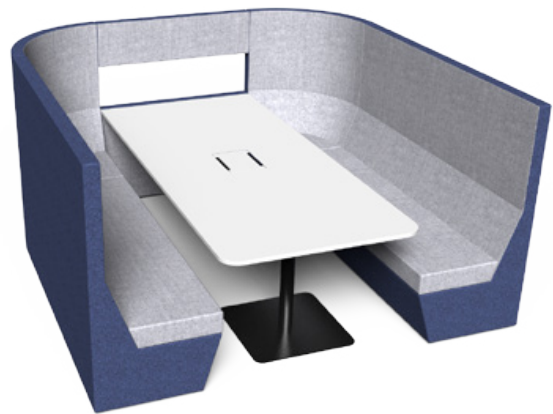
10 year warranty

6 week lead time

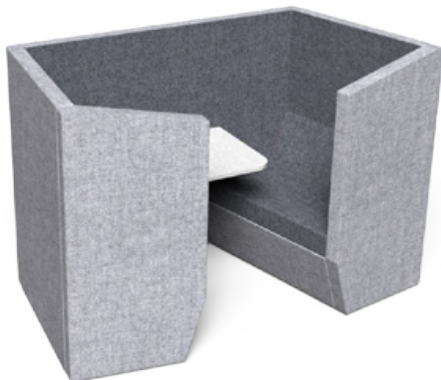
* sample of range shown



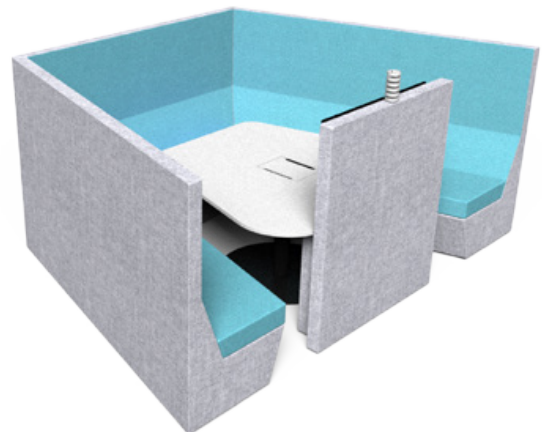
Huddle Connect 1



Huddle Exchange 2



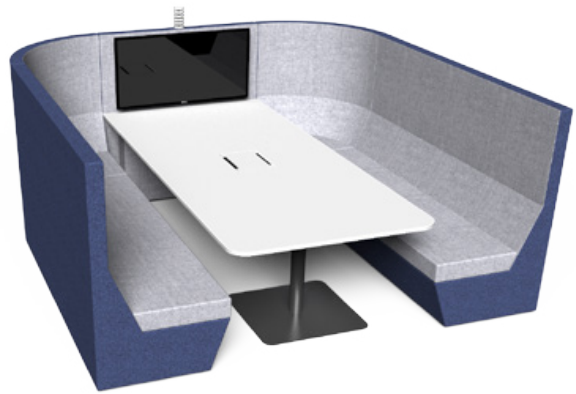
Huddle Meet 7 - duo pod



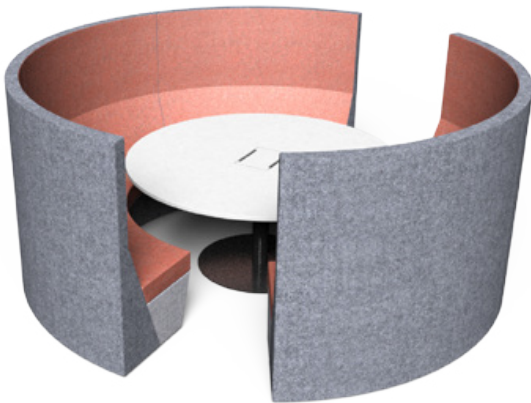
Huddle Work 1



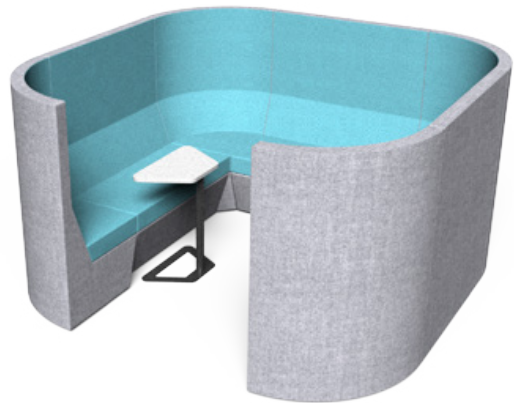
Huddle Connect 5



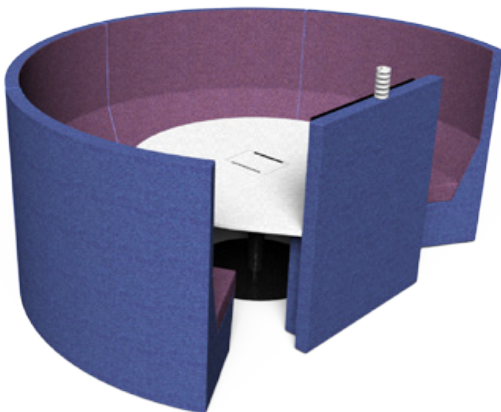
Huddle Exchange 1



Huddle Meet 2



Huddle Meet 4



Huddle Work 2






Huddle Work 3

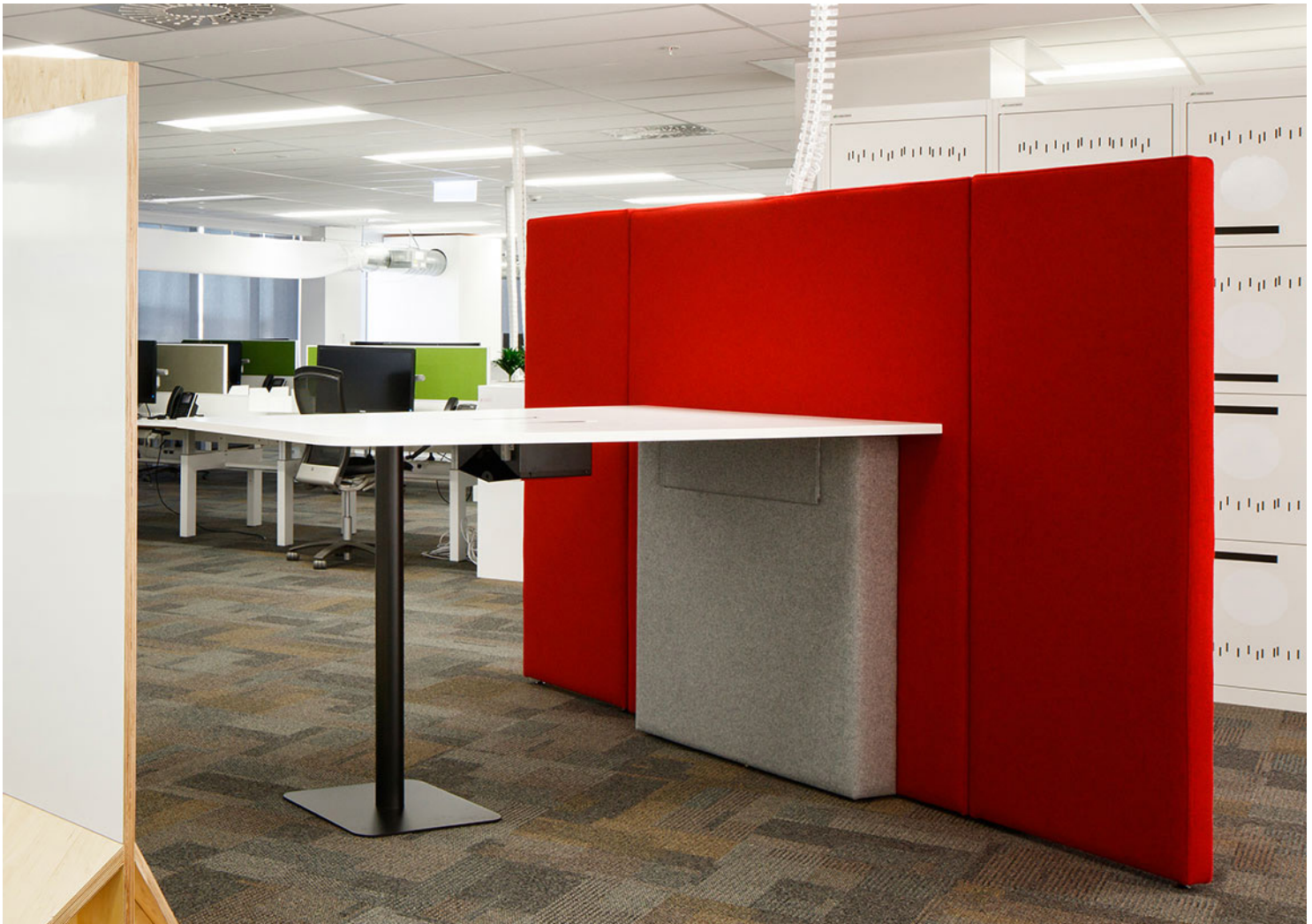


1F Marine Parade
Abbotsford, Victoria
3067 Australia

T +61 (3) 9818 5444
F +61 (3) 9818 6655
info@ecf.com.au

 ecf.com.au
 ecf.hfa
 @ecf_hfa



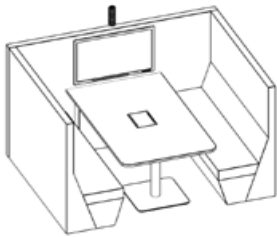


ecf | HUDDLE - COLLABORATIVE

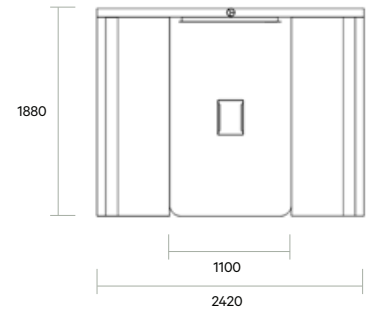
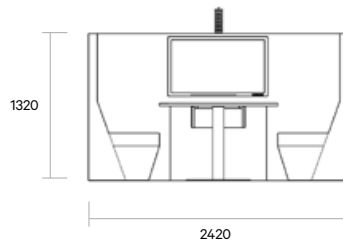
Collaborative booths

Huddle

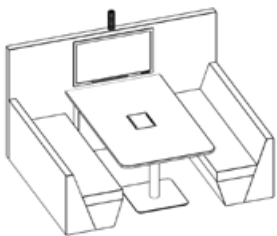
Connect



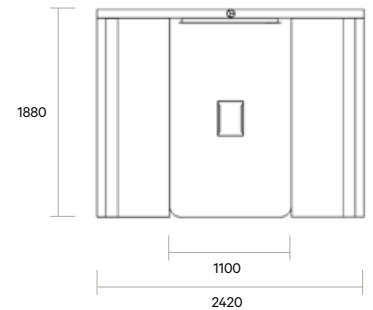
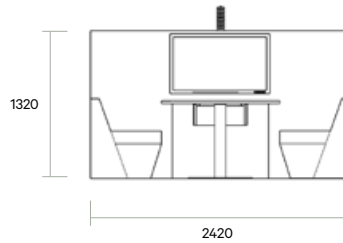
HUD-CON1



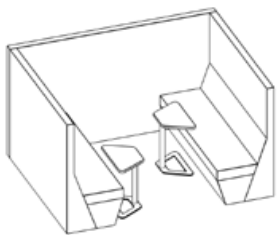
Huddle Connect 1



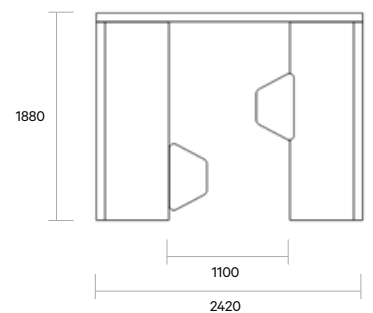
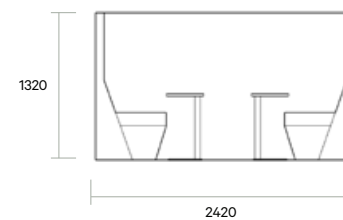
HUD-CON2



Huddle Connect 2



HUD-CON3HB, HUDCON3LB






Huddle Connect 3



1F Marine Parade
Abbotsford, Victoria
3067 Australia

T +61 (3) 9818 5444
F +61 (3) 9818 6655
info@ecf.com.au

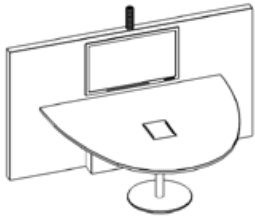
 ecf.com.au
 ecf.hfa
 @ecf_hfa



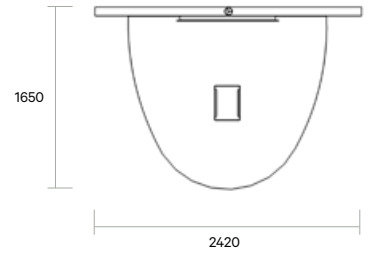
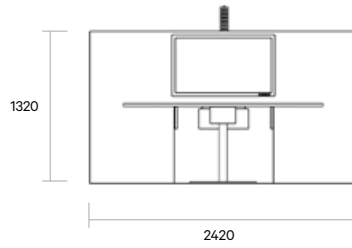
Collaborative booths

Huddle

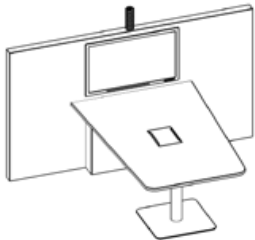
Connect



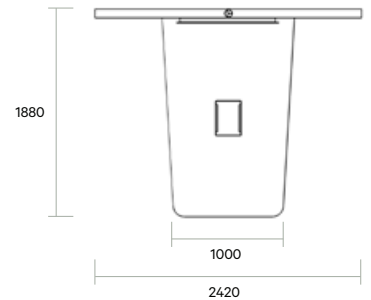
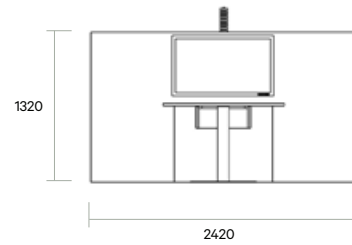
HUD-CON4



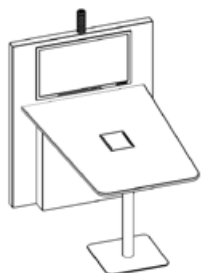
Huddle Connect 4



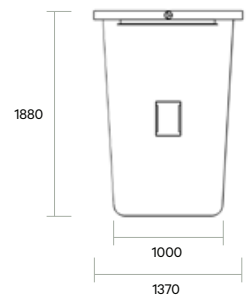
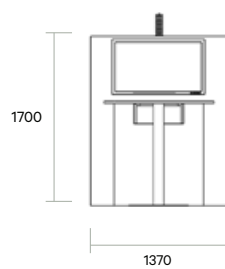
HUD-CON5



Huddle Connect 5



HUD-CON6

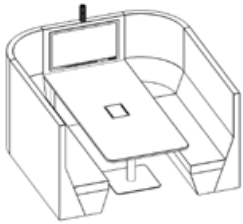


Huddle Connect 6

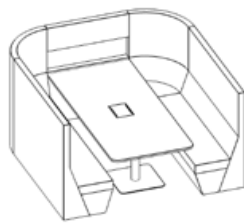
Collaborative booths

Huddle

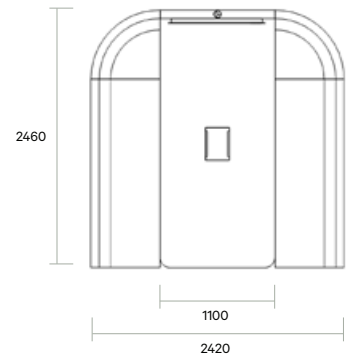
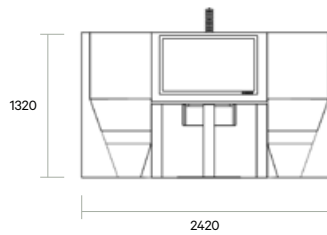
Exchange



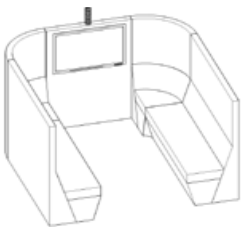
HUD-EXCH1



HUD-EXCH2



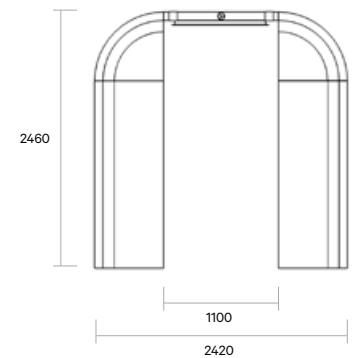
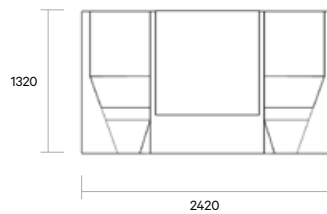
Huddle Exchange 1 + 2



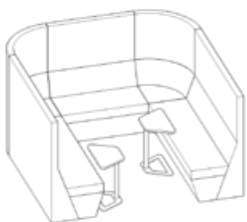
HUD-EXCH3



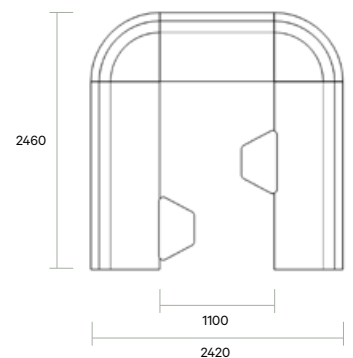
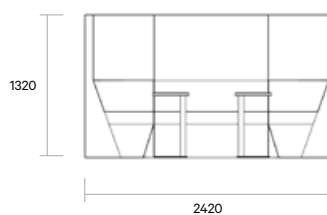
HUD-EXCH4



Huddle Exchange 3 + 4



HUD-EXCH5




Huddle Exchange 5



1F Marine Parade
Abbotsford, Victoria
3067 Australia

T +61 (3) 9818 5444
F +61 (3) 9818 6655
info@ecf.com.au

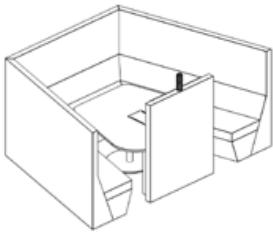
 ecf.com.au
 ecf.hfa
 @ecf_hfa



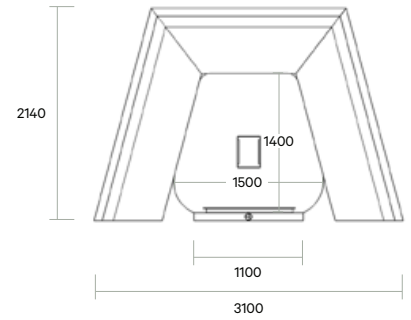
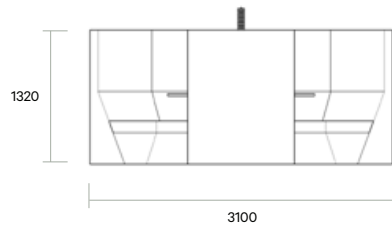
Collaborative booths

Huddle

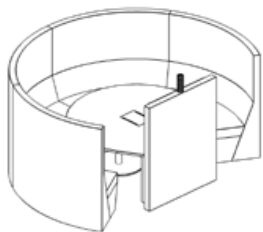
Work



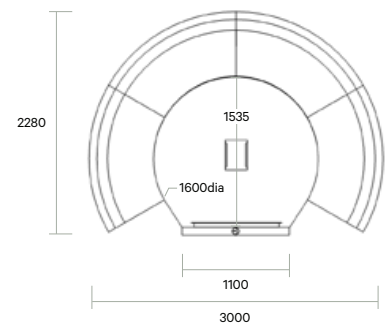
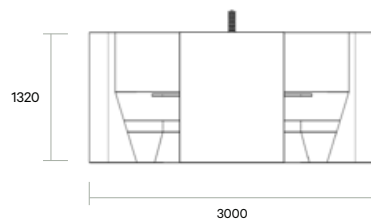
HUD-WORK1



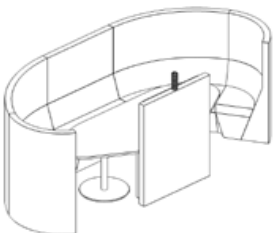
Huddle Work 1



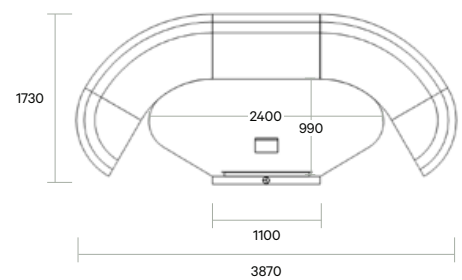
HUD-WORK2



Huddle Work 2



HUD-WORK3





Huddle Work 3



1F Marine Parade
Abbotsford, Victoria
3067 Australia

T +61 (3) 9818 5444
F +61 (3) 9818 6655
info@ecf.com.au

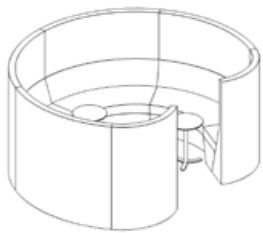
 ecf.com.au
 ecf.hfa
 @ecf_hfa



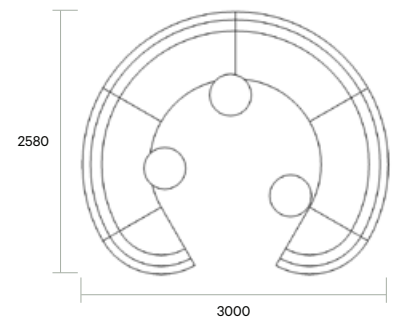
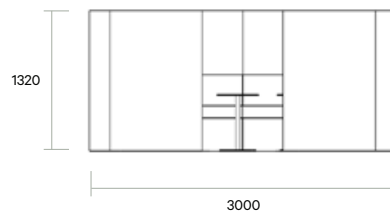
Collaborative booths

Huddle

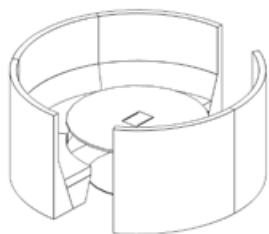
Meet



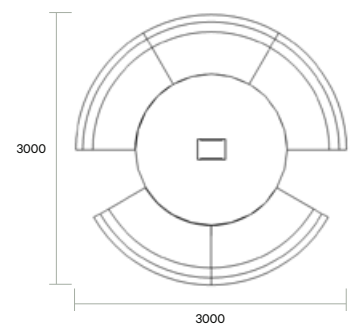
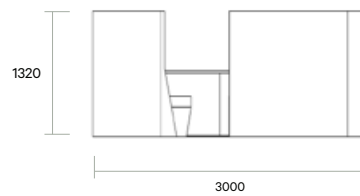
HUD-MEET1



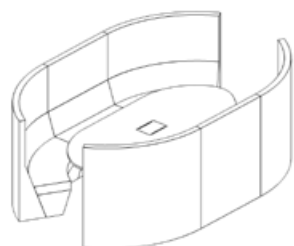
Huddle Meet 1



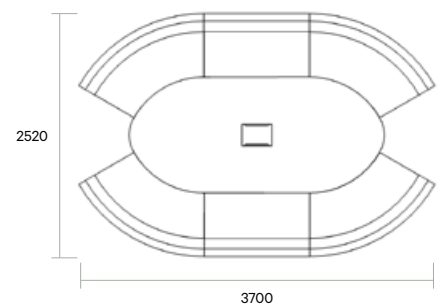
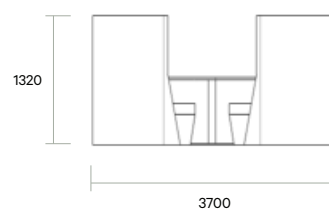
HUD-MEET2



Huddle Meet 2



HUD-MEET3

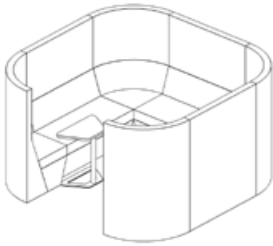


Huddle Meet 3

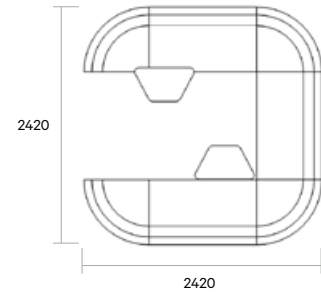
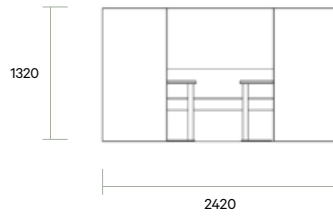
Collaborative booths

Huddle

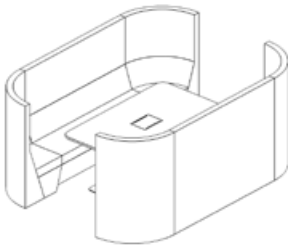
Meet



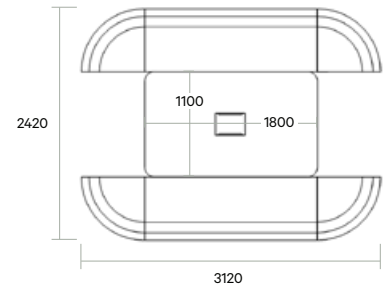
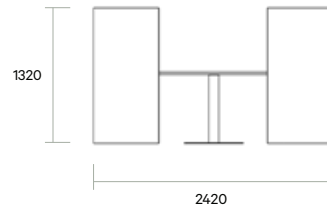
HUD-MEET4



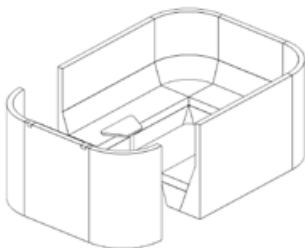
Huddle Meet 4



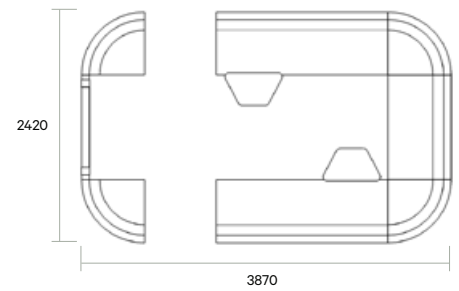
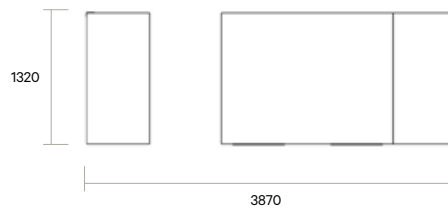
HUD-MEET5



Huddle Meet 5



HUD-MEET6






Huddle Meet 6



1F Marine Parade
Abbotsford, Victoria
3067 Australia

T +61 (3) 9818 5444
F +61 (3) 9818 6655
info@ecf.com.au

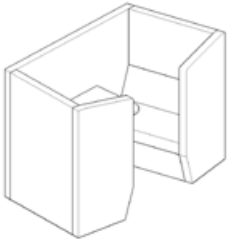
 ecf.com.au
 ecf.hfa
 @ecf_hfa



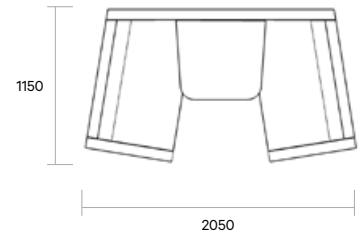
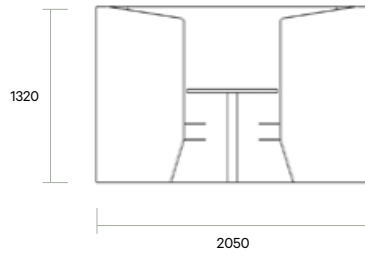
Collaborative booths

Huddle

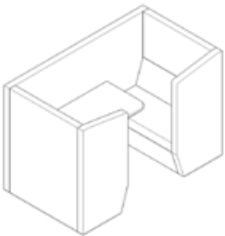
Meet



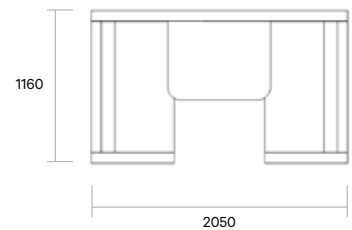
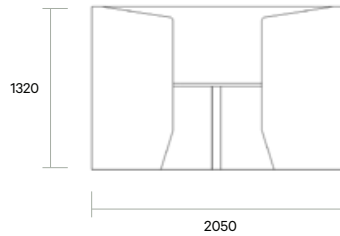
HUD-MEET7



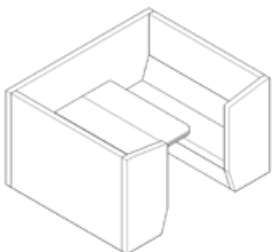
Huddle Meet 7 - duo pod



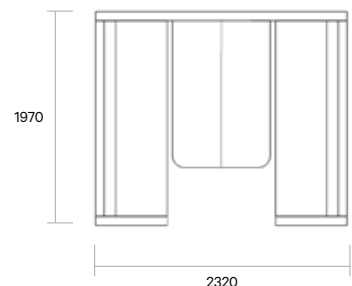
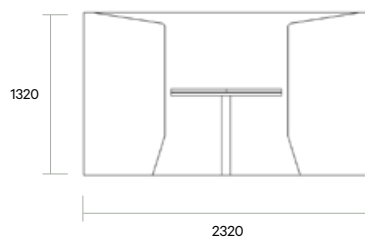
HUD-MEET8



Huddle Meet 8 - duo pod



HUD-MEET9



Huddle Meet 9 - quad pod



1F Marine Parade
Abbotsford, Victoria
3067 Australia

T +61 (3) 9818 5444
F +61 (3) 9818 6655
info@ecf.com.au



ecf.com.au



ecf.hfa



@ecf_hfa





ecf | HUDDLE - COLLABORATIVE



1F Marine Parade
Abbotsford, Victoria
3067 Australia

T +61 (3) 9818 5444
F +61 (3) 9818 6655
info@ecf.com.au



ecf.com.au



ecf.hfa



@ecf_hfa



SAI GLOBAL



SAI GLOBAL

Collaborative booths

Huddle

TV + blank walls

FEATURES

80mm thick walls in several widths either 1320H or 1700H

Huddle fabric upholstered TV walls suit a 40inch TV

A solid panel behind the TV allows for fixing various TV brackets (bracket and TV not included)

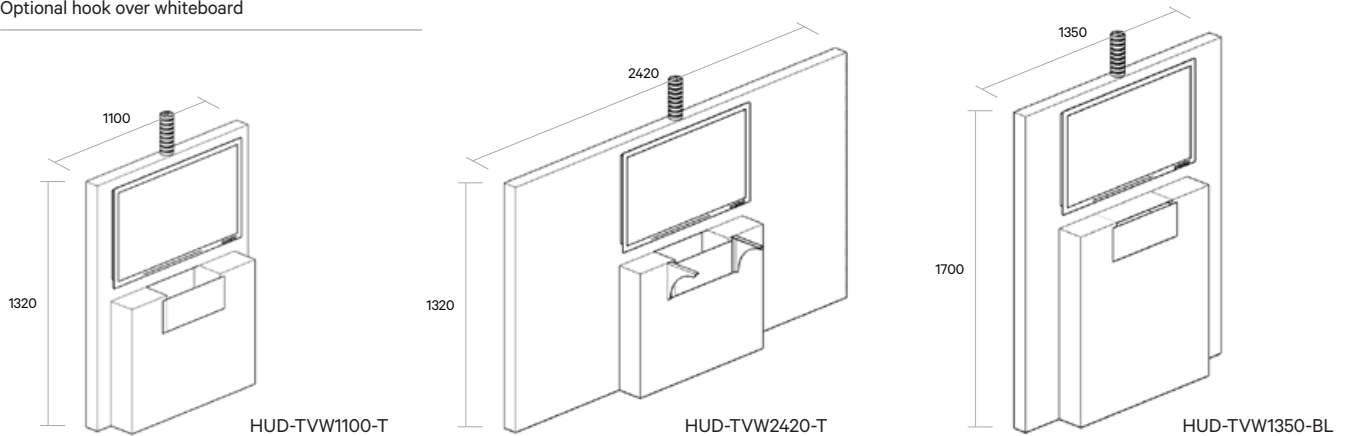
Power can be fed from the floor or ceiling via cable snake

Power outlets can be mounted inside the table plinth or surface mounted behind the TV

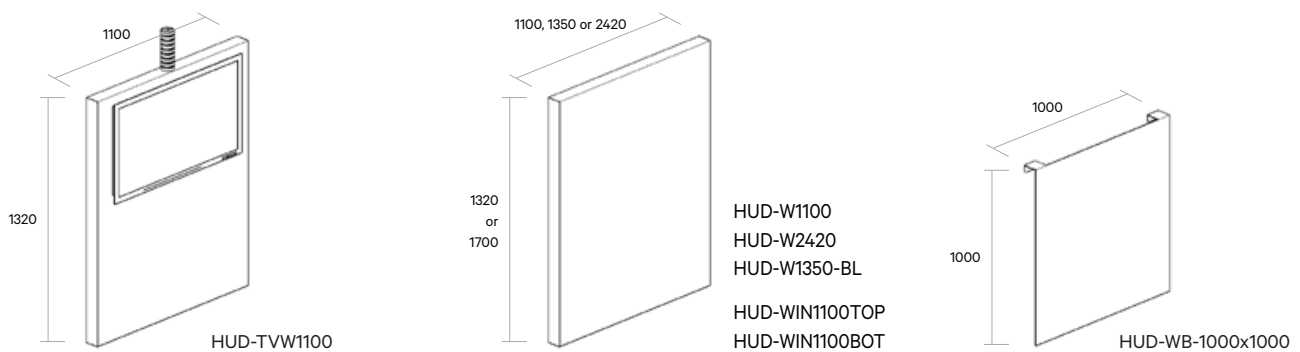
Velcro cable flap allows for easy access into the wall for cabling

Table top is fixed to the table plinth for support

Optional hook over whiteboard



TV wall - with table plinth



TV wall - no table

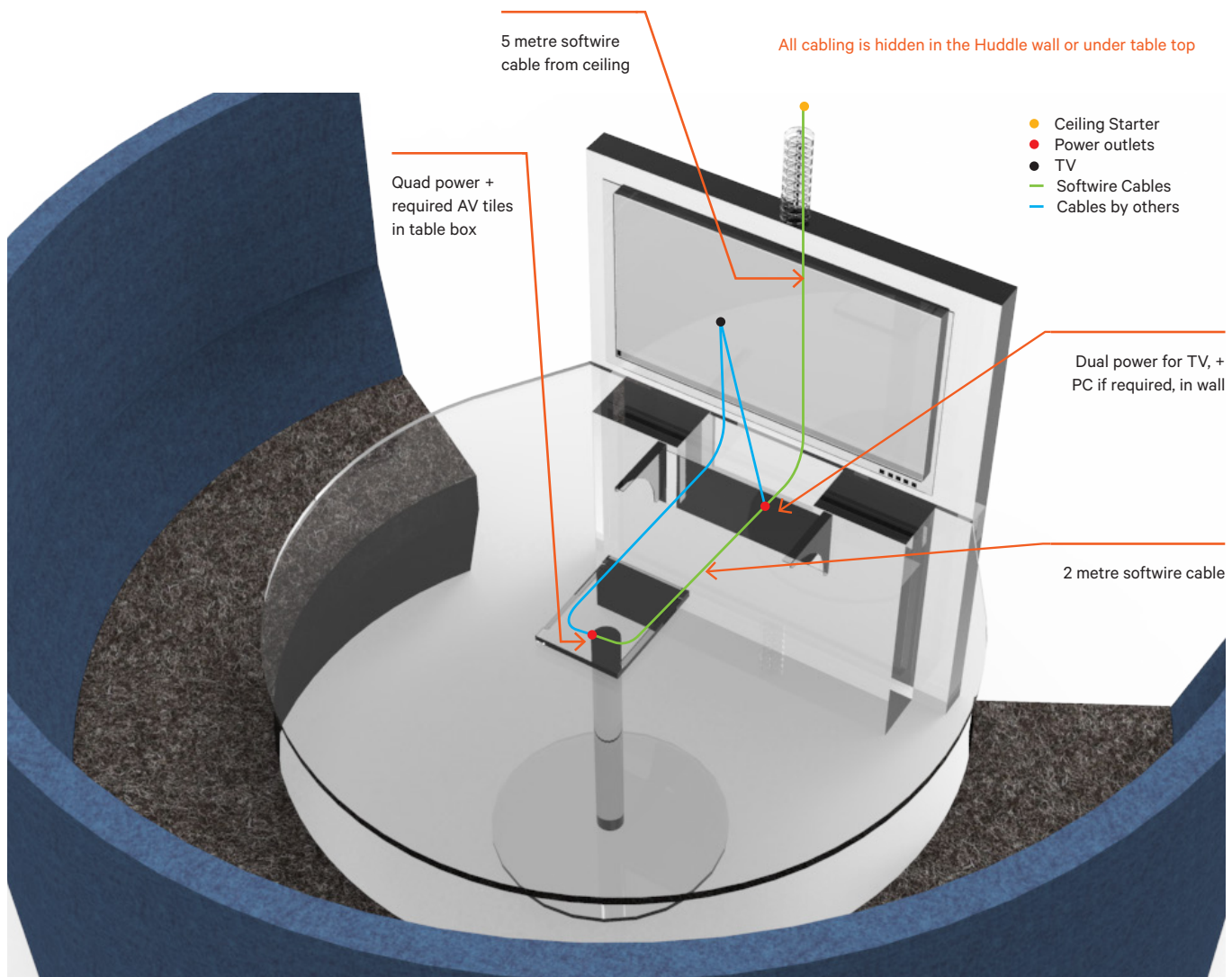
Blank wall + window wall

Hook over whiteboard

Collaborative booths




Huddle

Cable management



1F Marine Parade
Abbotsford, Victoria
3067 Australia

T +61 (3) 9818 5444
F +61 (3) 9818 6655
info@ecf.com.au

 ecf.com.au
 ecf.hfa
 @ecf_hfa



Collaborative booths

Huddle

Focus tables

FEATURES

Custom dimensions to suit booth configurations, 720H or 1050H overall (includes 25mm top)

Table top can be LPL, HPL, veneer or solid timber in the available colour of your choice. Standard 25mm thick tops, 30mm available on request

Flat square base with radiussed corners or disc base

Bases can be powdercoated in any standard New Zealand colour

Flat base provides maximum leg and feet room underneath the table

Matching coffee tables available

Connect Us and Connect Me table boxes can be integrated into the table top

Table must be bracketed to wall for support

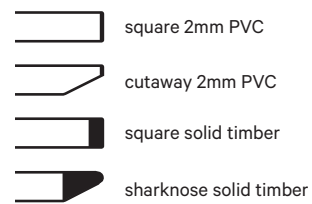
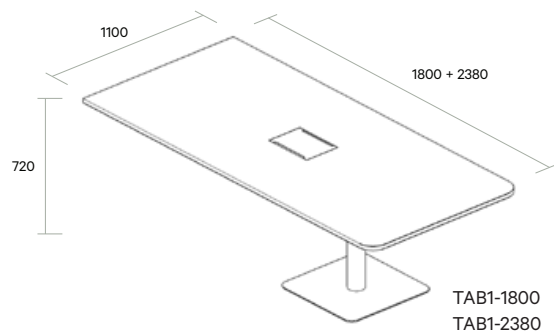
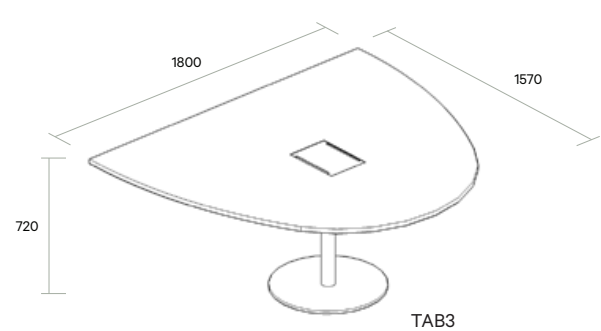


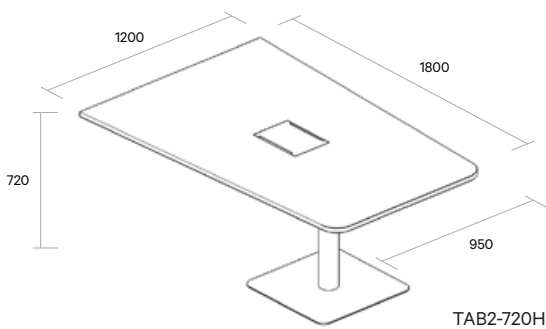
Table top edge options



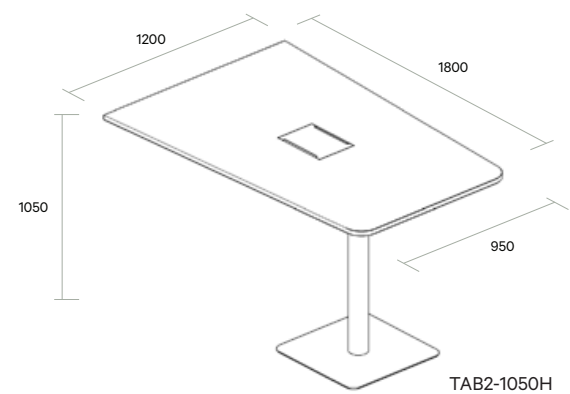
Rectangular table



D table



Angle table



Angle barleaner

Collaborative booths

Huddle

Connect Us power

FEATURES

Lid size 315 x 230mm

Box mounted underneath 280 x 290 x 140H

Accommodates up to 8 power outlets and varied numbers of data points (depending on combination of power services required) - can also have a range of AV/USB tiles if required

Hinged lid made from the same material as the desktop creating a seamless look, soft closing lid is optional

Lid has a brush seal, allowing cables to be fed through while the lid is closed

Strong sturdy powdercoated metal box allowing for cables and outlets to be securely reticulated

Can service above and below desk power requirements

Angled power outlet position to prevent dust build up in GPOs

Allows housing of any excess cables

Also available in a single sided smaller size called Connect Me

5 year warranty



Connect Us



VGA socket



HDMI



3.5 or 6.5 stereo
jack



Mini XLR 3 or 4
microphone jack



USB



RCA socket



1F Marine Parade
Abbotsford, Victoria
3067 Australia

T +61 (3) 9818 5444
F +61 (3) 9818 6655
info@ecf.com.au



ecf.com.au



ecf.hfa



@ecf_hfa



Collaborative booths

Huddle

Softseating

FEATURES

Huddle softseating has been designed to put you in the right position

450mm high seat, firm foam and shallow seat depth mean you can comfortably work at a table and be fully supported

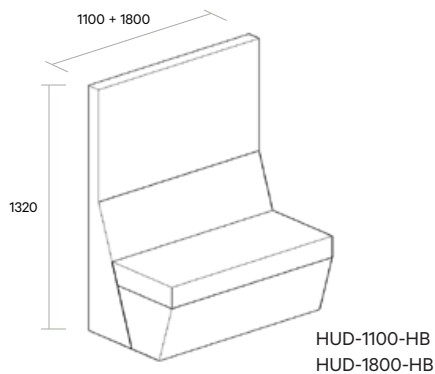
Seats are easy to get into and out of

Upholstered in your choice of fabric

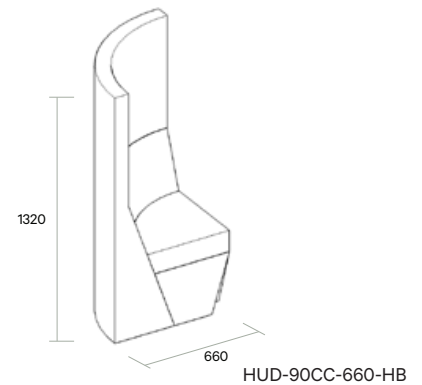
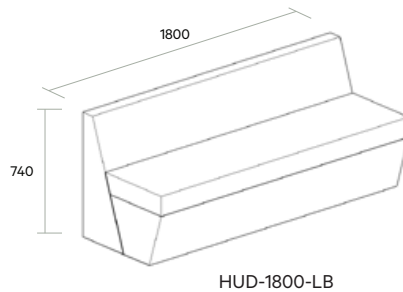
Seating is on adjustable levelling glides

Optional power, data and USB outlets can be added to the base

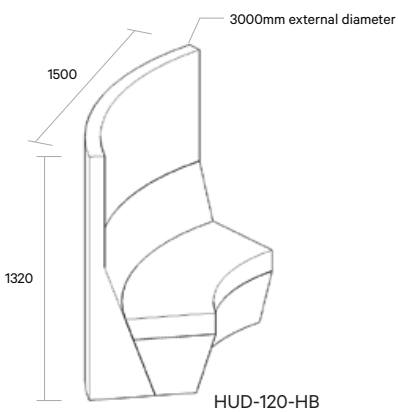
Matching range of standard softseating modules, such as chairs, 2, 2.5 and 3 seaters with or without arms and high or low backs



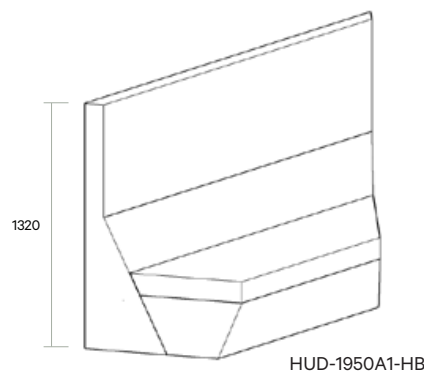
Straight seat - high back + low back



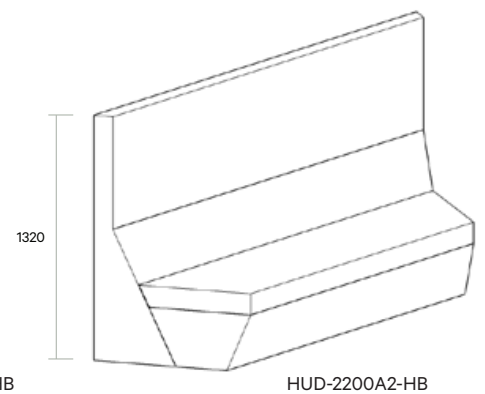
90 degree corner - high back



120 degree corner - high back



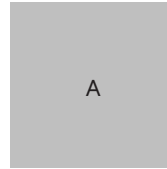
Straight seat - 1950W + 2200W - high back angled ends



Collaborative booths

Huddle

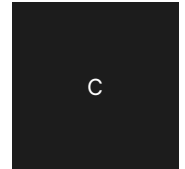
Upholstery options



A
Outside + top
of back, sides +
base



B
Inside of back
+ lumbar/inside
face of wall



C
Seat cushion/
wall table plinth

Fabric upholstery configurations

