

ecf | ESCAPE TABLE



ESCAPE TABLE

The Escape table is a unique coffee table featuring a cut out design which gives it its individuality while also serving as a magazine/book rack. Its unique leg detail matches the Escape chair. It is a stylish piece that complements its environment and is ideal for use in breakout and waiting areas.



DIMENSIONS

Height	Width	Depth
400mm	1200mm	600mm

SPECIFICATIONS

Australian Made

5 year warranty

Shaped magazine display incorporated into coffee table.

Escape stainless steel rod angled legs

OPTIONS

Powder coated Escape legs

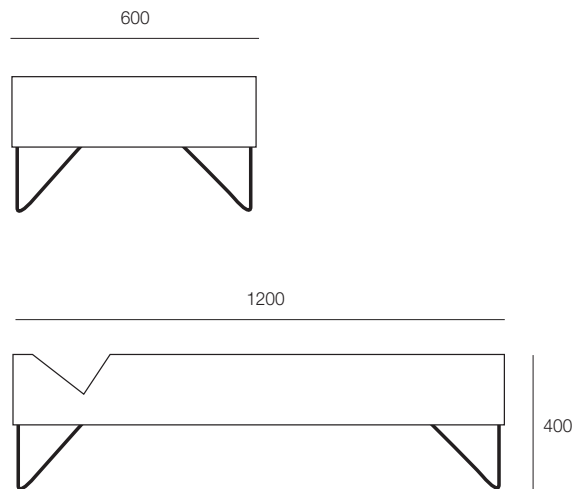
Timber Veneer, ecf standard or commercial laminates available in various colours

Open End

GENERAL

Origin	Lead Time
Australia	6 weeks

TECHNICAL DRAWINGS



PRODUCT OPTIONS






ecf



1F Marine Parade
Abbotsford, Victoria
3067 Australia

T +61 (3) 9818 5444
F +61 (3) 9818 6655
info@ecf.com.au

 ecf.com.au
 ecf.hfa
 @ecf_hfa

