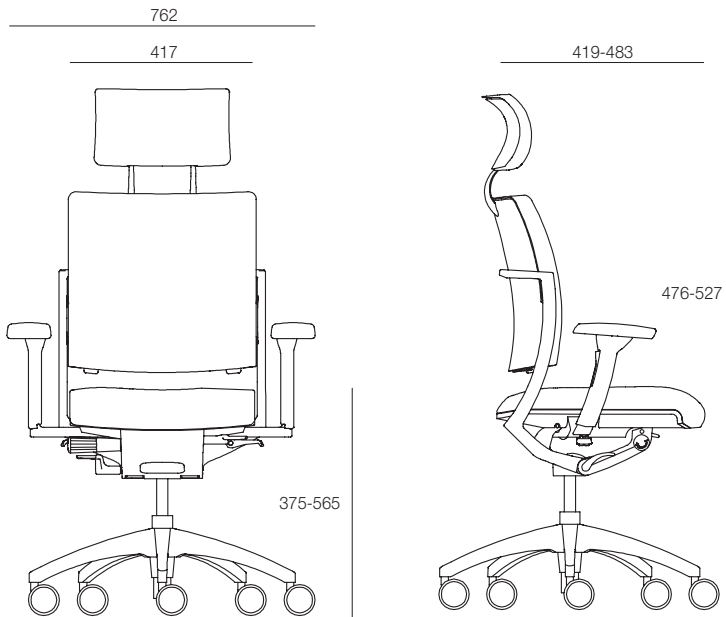


Fitz™ is a high-performance task chair based on a simple, essential idea — the principle of fit. While most task chairs fall short of meeting the needs of an international working population, Fitz has translated the most demanding dimensional requirements of ergonomic guidelines into a broader range of adjustability. The result is a perfect fit for nearly all.



Fitz Specifications

Manufactured in Canada
10 Year Warranty



SEAT DEPTH

Two-and-a-half-inch depth range corresponds with different leg lengths, ensuring proper contact with the chair back which helps reduce pressure behind the knees.

BACK HEIGHT

Two-inch adjustment range helps to provide optimal lumbar and back support.

HEADREST TILT

Adjustments in depth and angle support a healthy head and neck position by maintaining the natural curve in the cervical spine.

ARM ADJUSTMENT

Arms move up or down 120mm and adjust 65mm in depth. The arm pivot allows armrests to rotate 20 degrees inward or outward. 4D Arms adjust in width up to 4 inches and 2D Arms adjust 75mm.

