

HFA

ARUBA OUTDOOR CHAIR



# ARUBA OUTDOOR CHAIR

The Aruba Tub Chair is an injection moulded resin chair, the non-metallic frame will never unravel, rust or decay, with rattan look seat and back. Reinforced with glass fibre to strengthen the legs and boost the weight capacity. The Aruba Tub Chair is stackable, designed for outdoor use. Strong yet lightweight, this chair will add class to your facility. Its sleek profile is pleasant to the eye so this chair is as charming as it is functional. Very easy to clean, just hose it down.



## DIMENSIONS

Height	Width	Depth
800mm	740mm	750mm

## SPECIFICATIONS

- 2 year structural warranty
- Made in Europe
- Stackable to 4 high
- Suitable for indoor and outdoor use
- SWL: 150 kg
- Weather resistant, UV Stabilised - Will not fade under direct sunlight

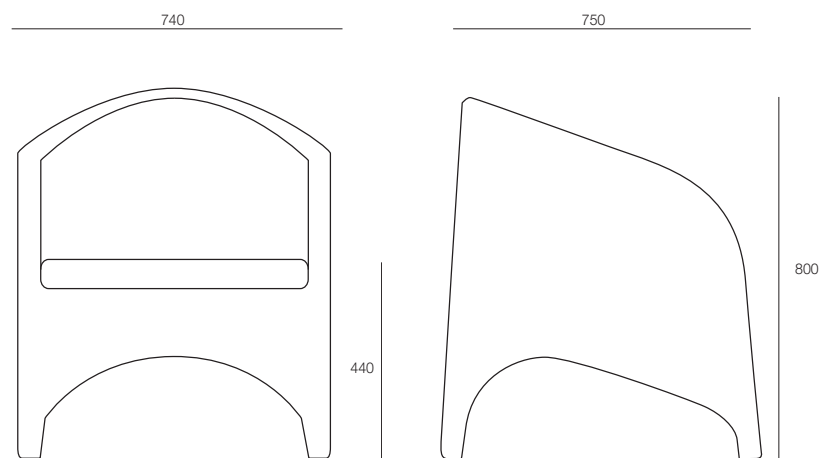
## OPTIONS

Available in Chocolate & Anthracite

## GENERAL

Origin	Lead Time
Australia	4 weeks

## TECHNICAL DRAWINGS



## PRODUCT OPTIONS






HFA



1F Marine Parade  
Abbotsford, Victoria  
3067 Australia

T +61 (3) 9818 8400  
F +61 (3) 9818 6655  
info@hfa.com.au

 ecf.com.au  
 ecf.hfa  
 @ecf\_hfa

