

HFA

ORLANDO OUTDOOR TABLE



ORLANDO OUTDOOR TABLE

The Orlando Table is an injection moulded resin table, the non-metallic frame will never unravel, rust or decay, and with rattan edges it matches the rattan chairs. Reinforced with glass fibre to strengthen the legs and boost the weight capacity. The Orlando Table is designed for outdoor use. Strong yet lightweight, this table will add class to your facility. Its sleek profile is pleasant to the eye so this table is as charming as it is functional. Very easy to clean, just hose it down. Always keep shaded, this table is not recommended for areas in direct sunlight.



DIMENSIONS

Height	Width	Depth
750mm	Various	Various

SPECIFICATIONS

2 year structural warranty

Made in Europe

Suitable for indoor and outdoor use

Unit Weight: 14 kg

UV resistant flat resin wicker

Weather resistant, UV Stabilised - Will not fade under direct sunlight

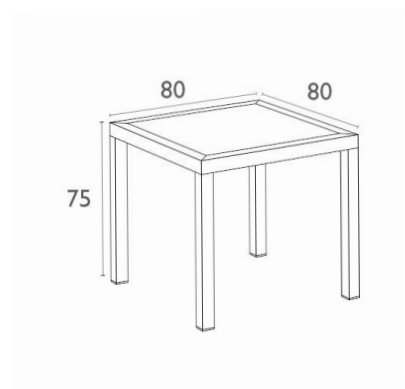
OPTIONS

Available in Chocolate & Anthracite

GENERAL

Origin	Lead Time
Europe	4 weeks

TECHNICAL DRAWINGS



PRODUCT OPTIONS






HFA



1F Marine Parade
Abbotsford, Victoria
3067 Australia

T +61 (3) 9818 8400
F +61 (3) 9818 6655
info@hfa.com.au

 ecf.com.au
 ecf.hfa
 @ecf_hfa

